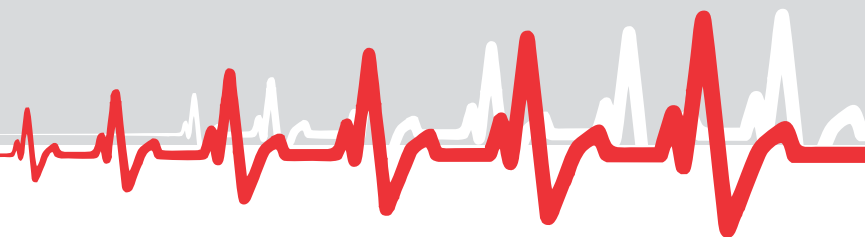
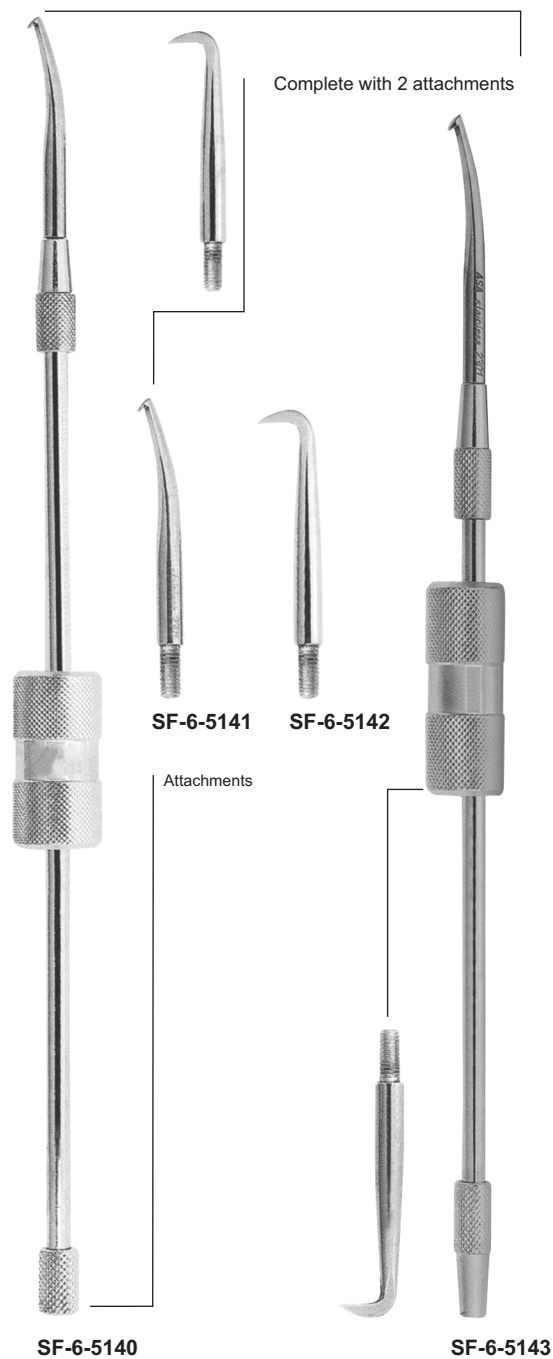
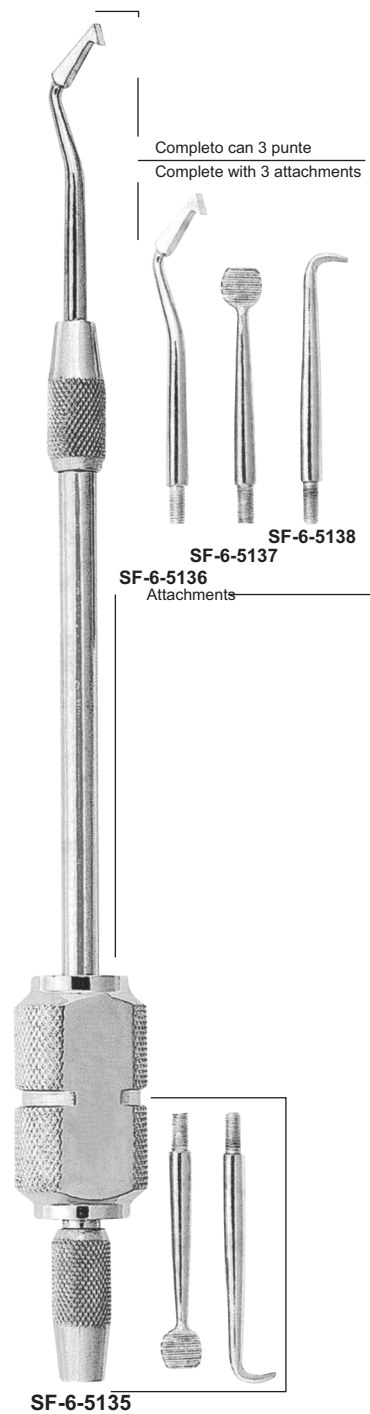


Page
120–122

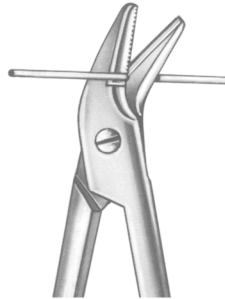
- Crown Removers
- Scissors
- Forceps
- Amalgum Guns
- Carries



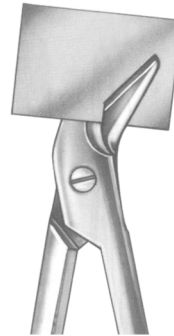




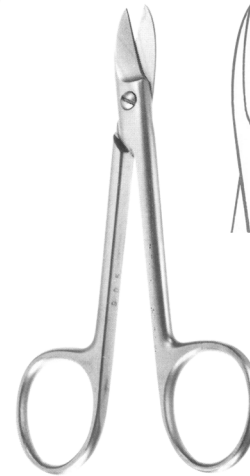
Universal "HM"
12 cm, 4 3/4"



SF-6-5144



SF-6-5145



SF-6-5146
Beebee
10,5 cm, 4 1/8"



SF-6-5147
Mershon



SF-6-5148
Morell



SF-6-5149
Morell



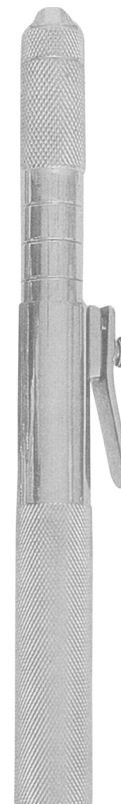
SF-6-5150
Morell



SF-6-5151
Morell



SF-6-5152
Treymann



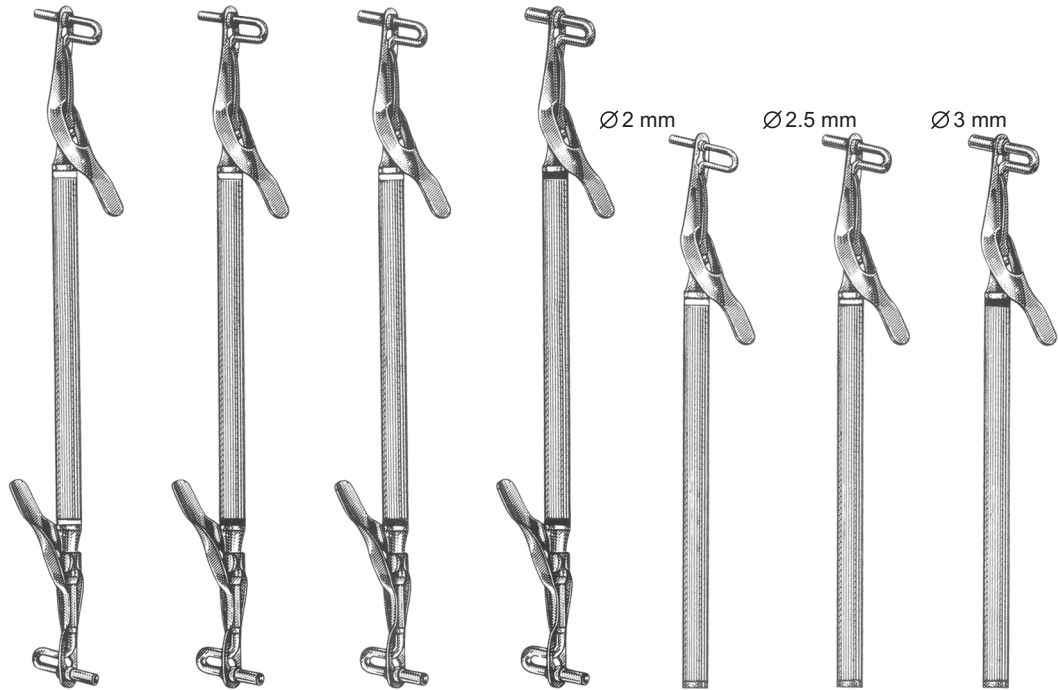
SF-6-5153
Automatic Crown Remover
With 2 Points



SF-6-5154



SF-6-5155



SF-6-5156
Medium-Large
20 cm

SF-6-5157
Medium-Jumbo
20 cm

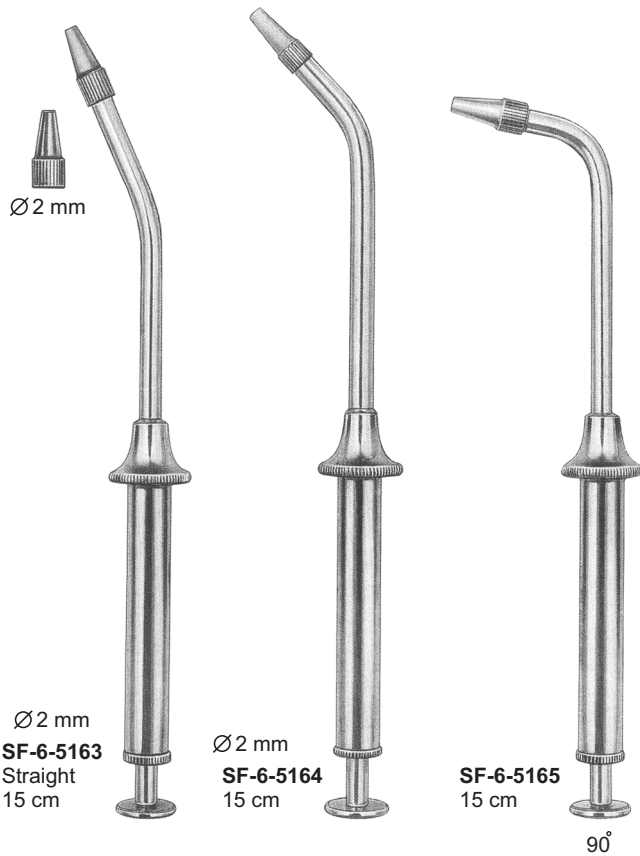
SF-6-5158
Large-Jumbo
20 cm

SF-6-5159
Jumbo-Jumbo
20 cm

SF-6-5160
Medium
15.5 cm

SF-6-5161
Large
15.5 cm

SF-6-5162
Jumbo
15.5 cm

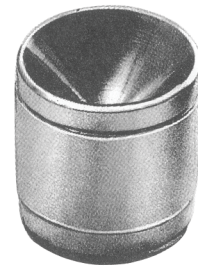


Ø 2 mm
SF-6-5163
Straight
15 cm

Ø 2 mm
SF-6-5164
15 cm

SF-6-5165
15 cm

90°



SF-6-5166
Amalgam Well
Non Skid Base
Ø 3.5 mm



Surgiforce Instruments



Opposite Surgical Association,
Malkay Kalan, Marala Road,
Sialkot-51050 Pakistan.



+92 523 559131



info@surgiforce.com
sales@surgiforce.com



www.surgiforce.com



Our Certifications:

ISO 9001

CE Certified

EN 13485:2012

ISO 7153-1

ISO 7151

ISO 17664:2004

ISO 13402

ISO 15223

