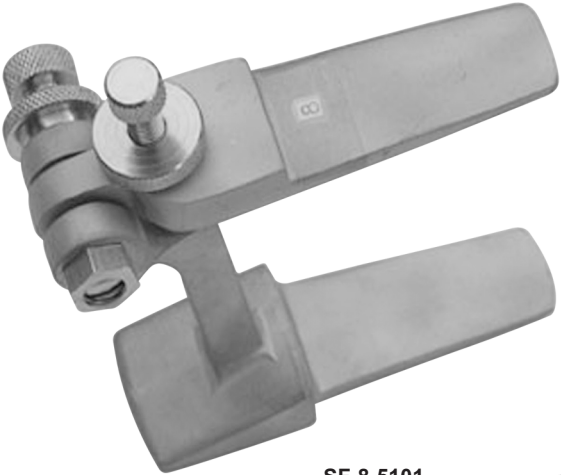


Page  
156-157

- Arriculators





SF-8-5101



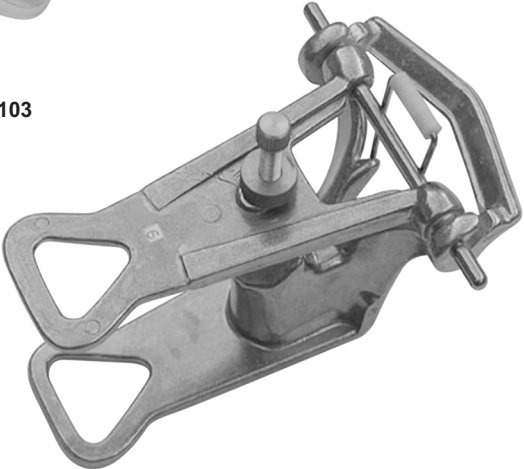
SF-8-5102



SF-8-5103



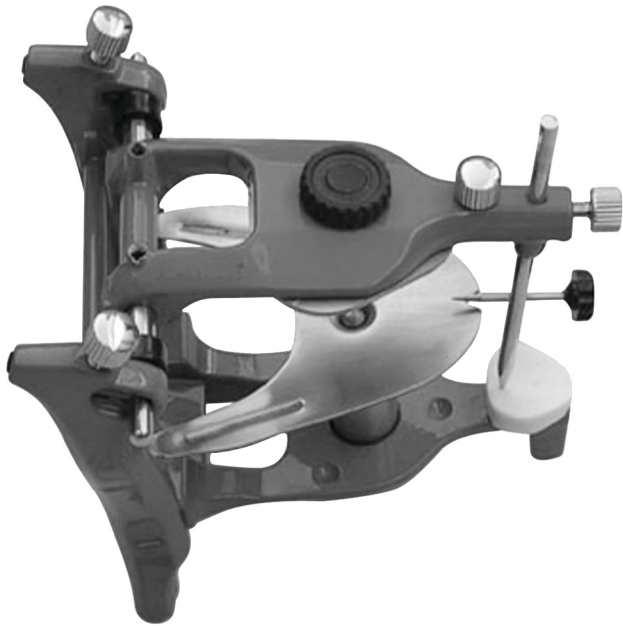
SF-8-5104



SF-8-5105



SF-8-5106



SF-8-5107



SF-8-5108



SF-8-5109



SF-8-5110



# Surgiforce Instruments



Opposite Surgical Association,  
Malkay Kalan, Marala Road,  
Sialkot-51050 Pakistan.



+92 523 559131



info@surgiforce.com  
sales@surgiforce.com



www.surgiforce.com



## Our Certifications:

ISO 9001

CE Certified

EN 13485:2012

ISO 7153-1

ISO 7151

ISO 17664:2004

ISO 13402

ISO 15223

