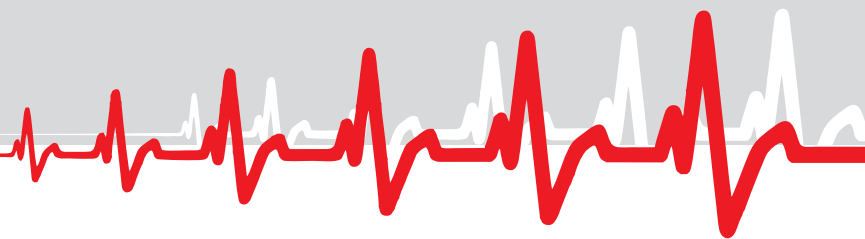
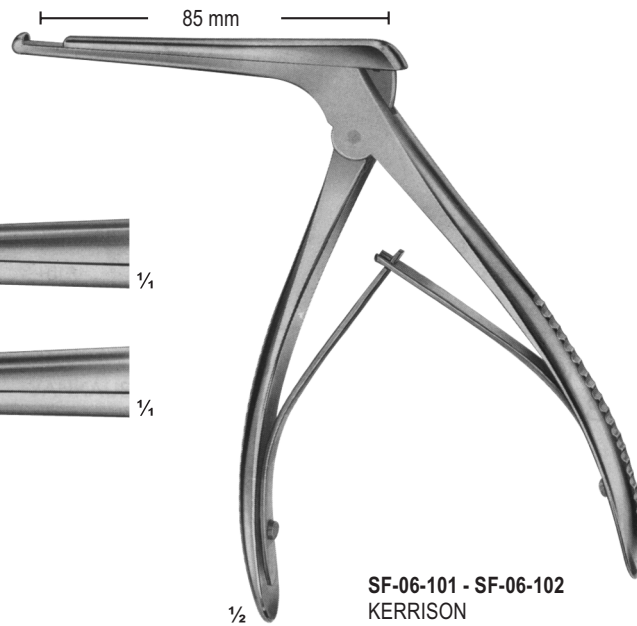


Page
112-130

- Bone Punches
- Rongeurs
- Amputation



90° upwards cutting



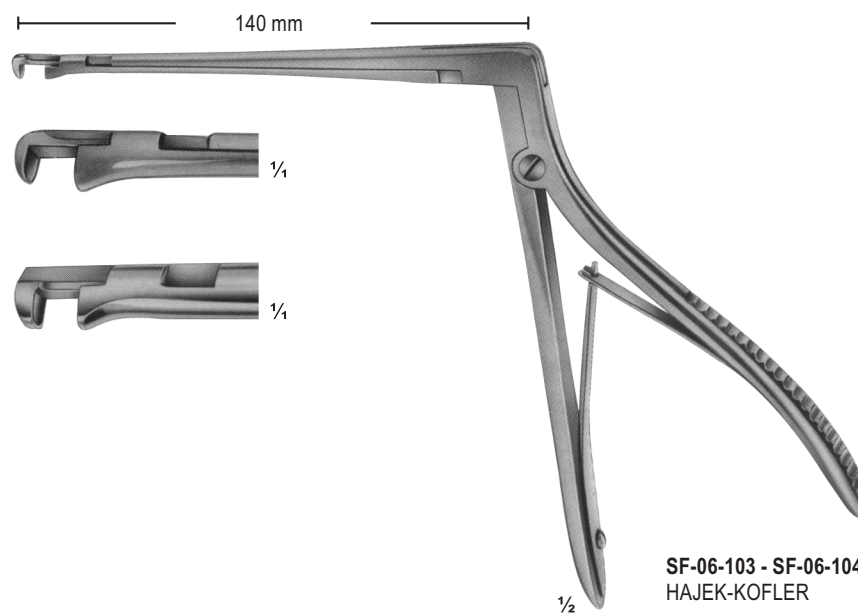
SF-06-101
4 mm



SF-06-102
5 mm



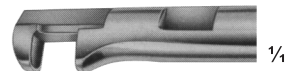
90° upwards cutting



SF-06-103
3,3 mm

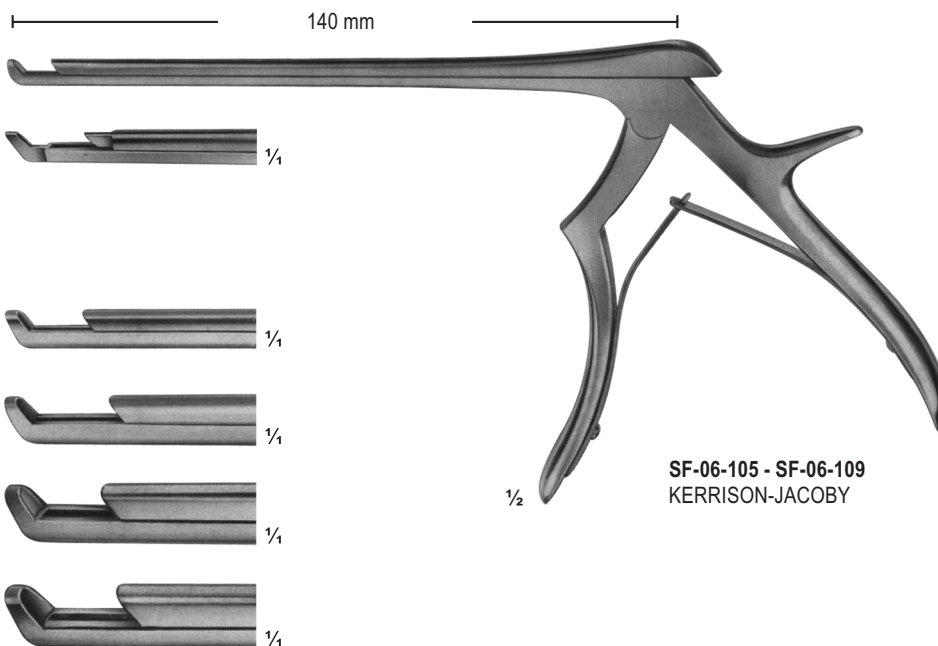


SF-06-104
4,0 mm



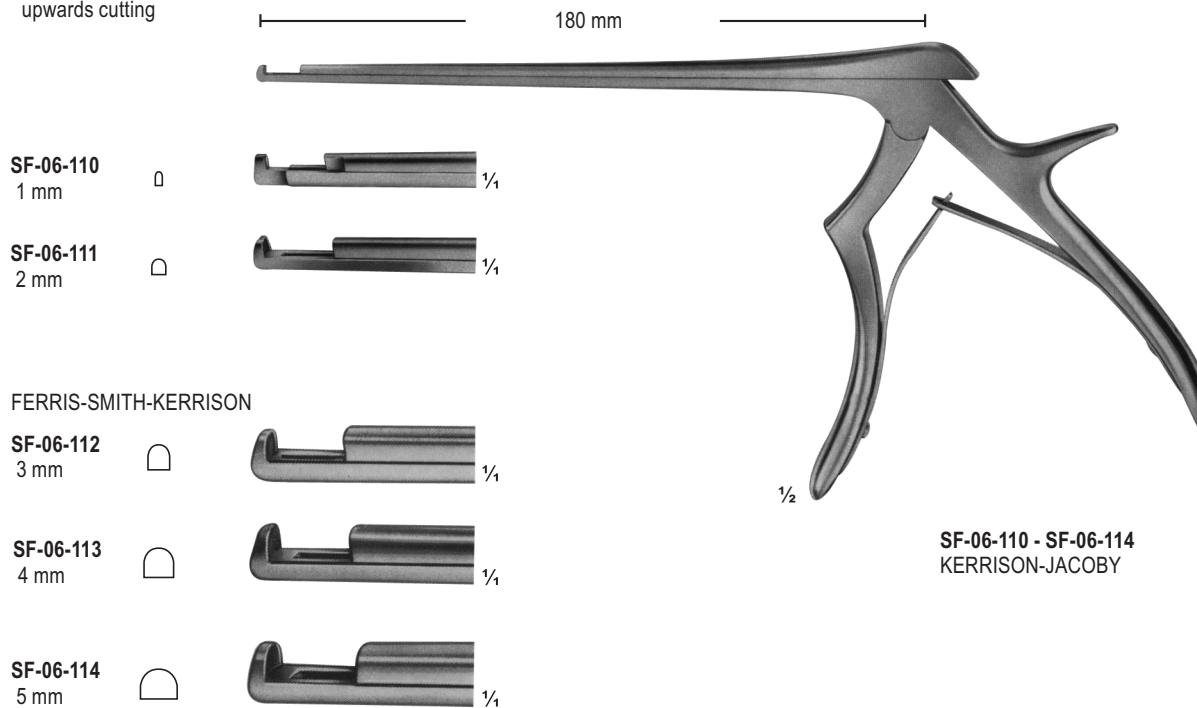
130°

upwards cutting



90°

upwards cutting



FERRIS-SMITH-KERRISON

Angled positions for rongeurs

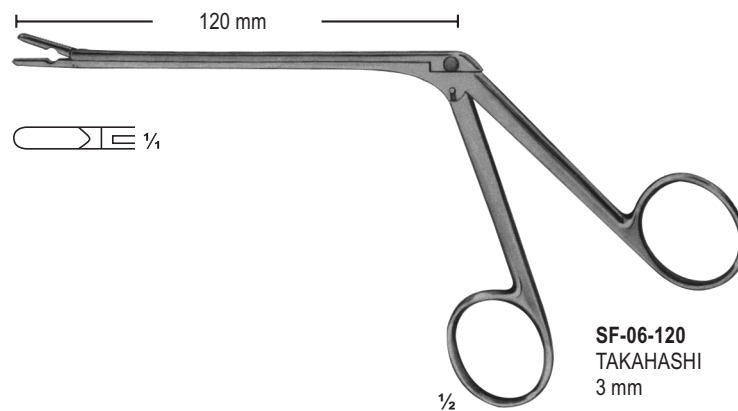
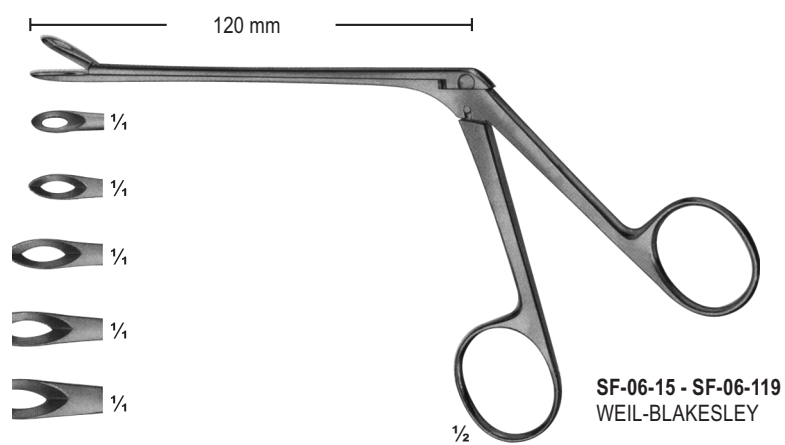
SF-06-115
3,0 mm

SF-06-116
3,6 mm

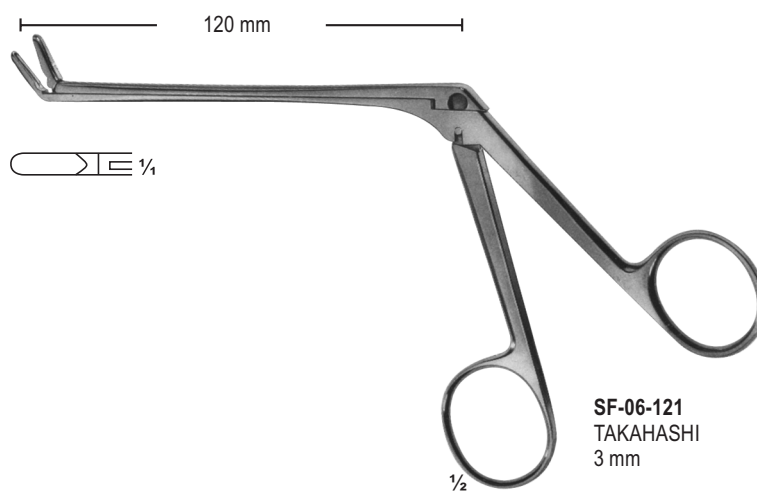
SF-06-117
4,2 mm

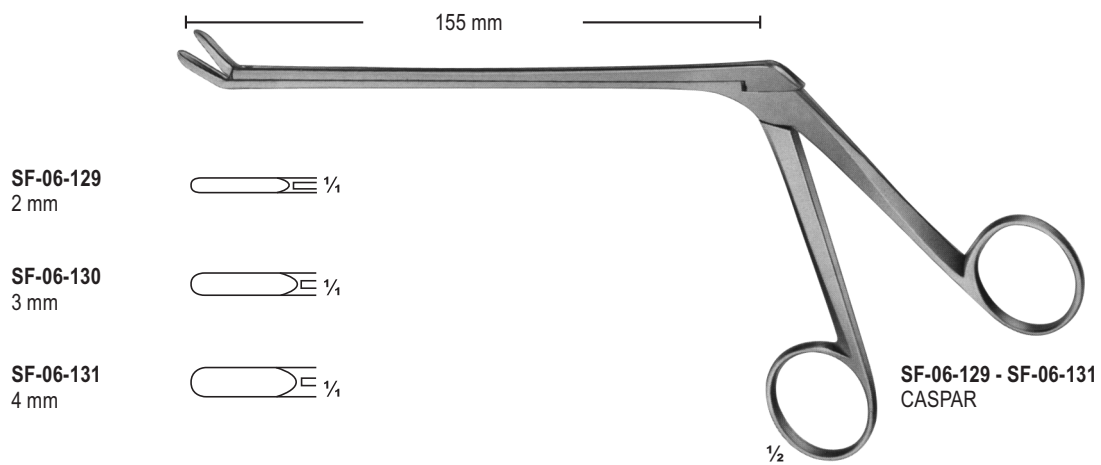
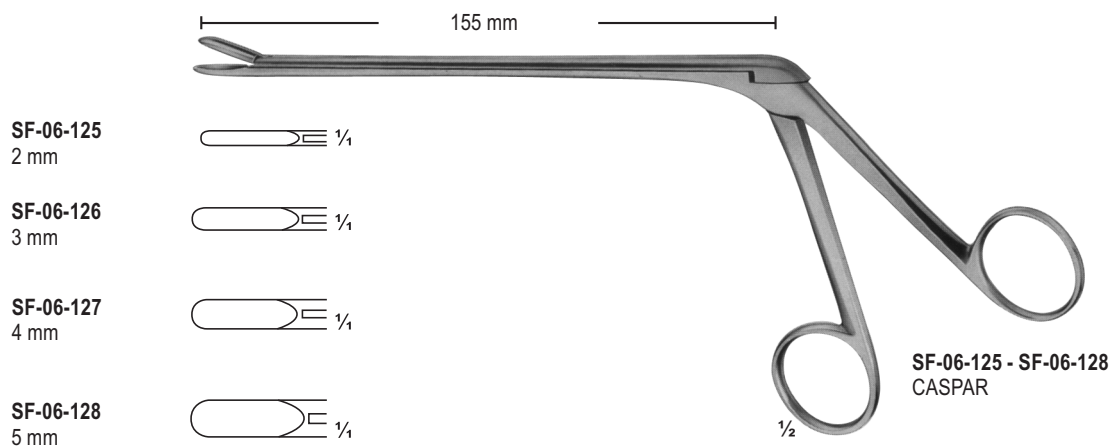
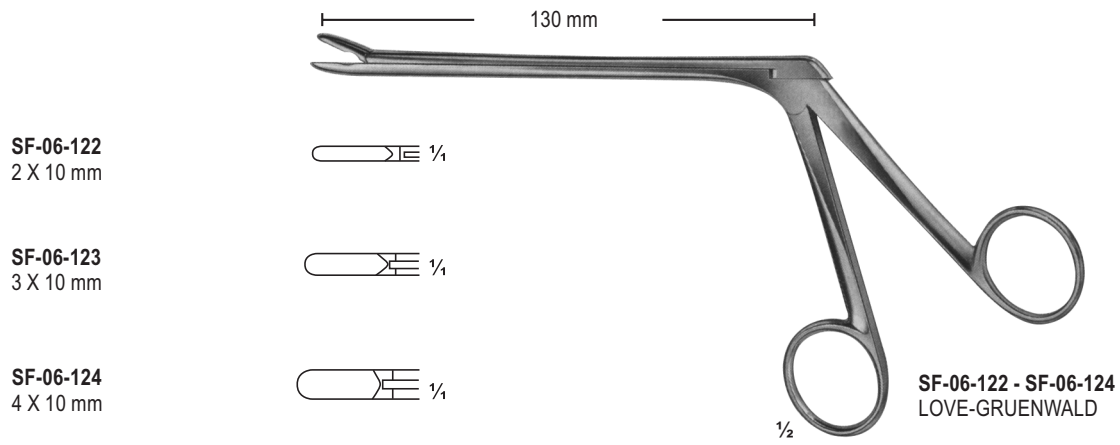
SF-06-118
4,8 mm



SF-06-119
5,8 mm

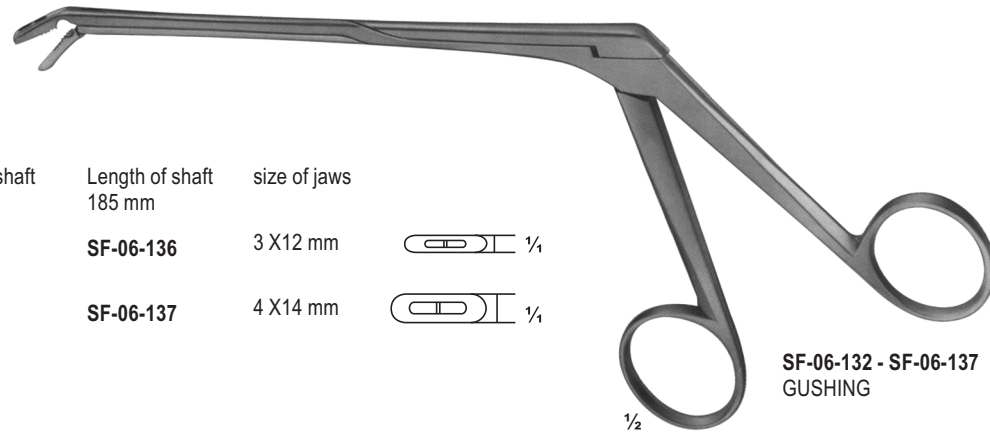


130°





Length of shaft 140 mm	Length of shaft 160 mm	Length of shaft 185 mm	size of jaws
SF-06-132	SF-06-134	SF-06-136	3 X12 mm  1/4
SF-06-133	SF-06-135	SF-06-137	4 X14 mm  1/4

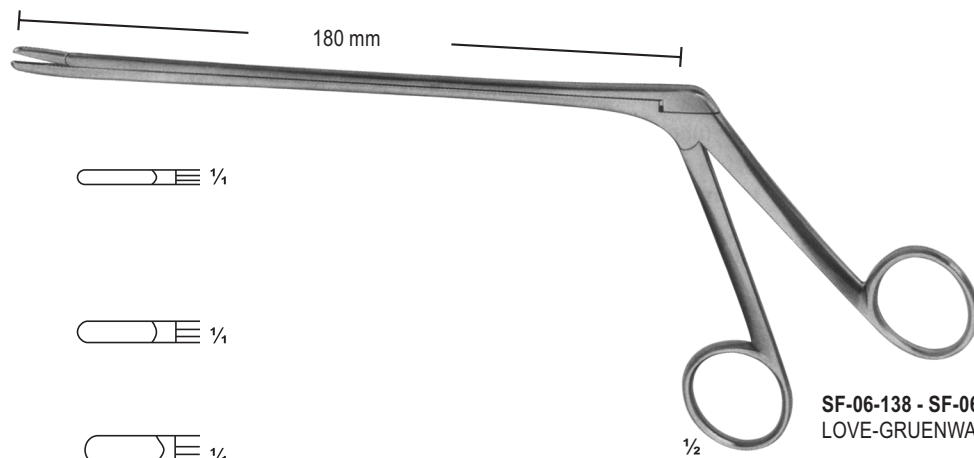


SF-06-132 - SF-06-137
GUSHING

SF-06-138
2 X 10 mm
GUSHING

SF-06-139
3 X 10 mm
LOVE-GRUENWALD

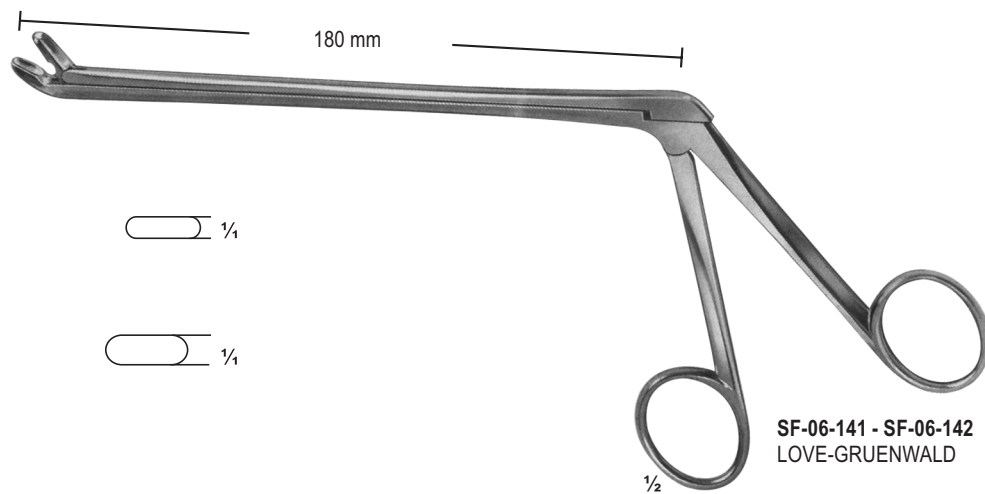
SF-06-140
4 X 10 mm
SPURLING



SF-06-138 - SF-06-140
LOVE-GRUENWALD

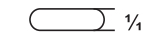
SF-06-141
3 X 10 mm
LOVE-GRUENWALD

SF-06-142
4 X 10 mm
SPURLING

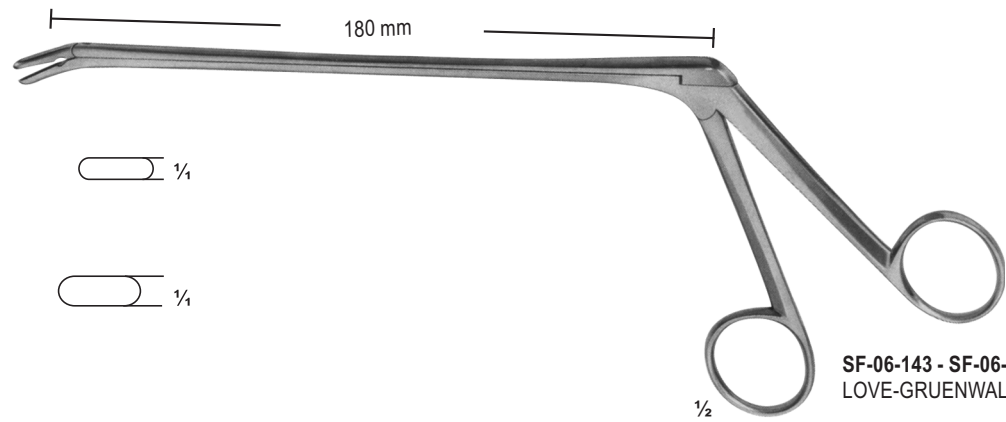


SF-06-141 - SF-06-142
LOVE-GRUENWALD

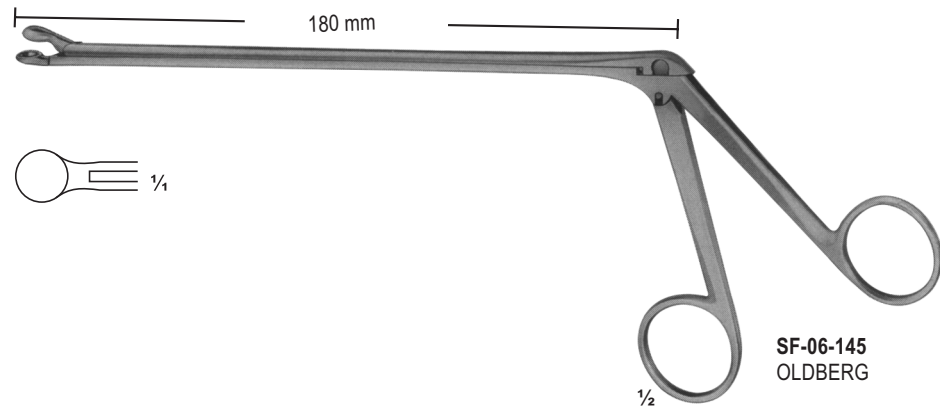
SF-06-143
3 X 10 mm
LOVE-GRUENWALD



SF-06-144
4 X 10 mm
SPURLING



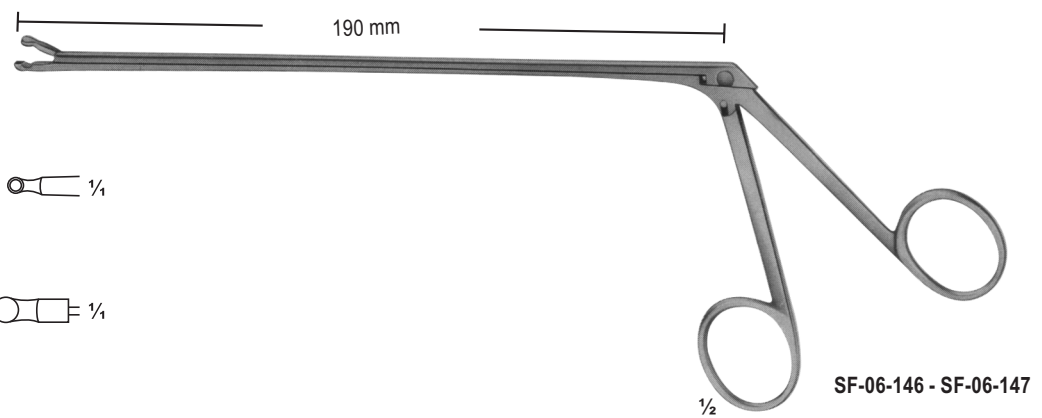
SF-06-145
7 mm

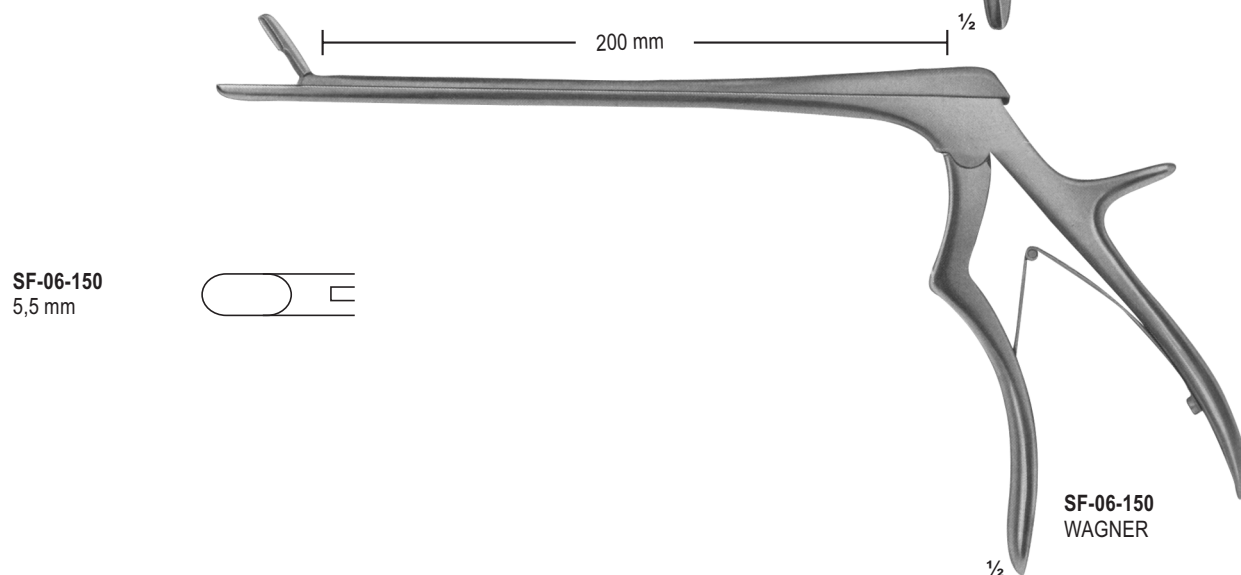
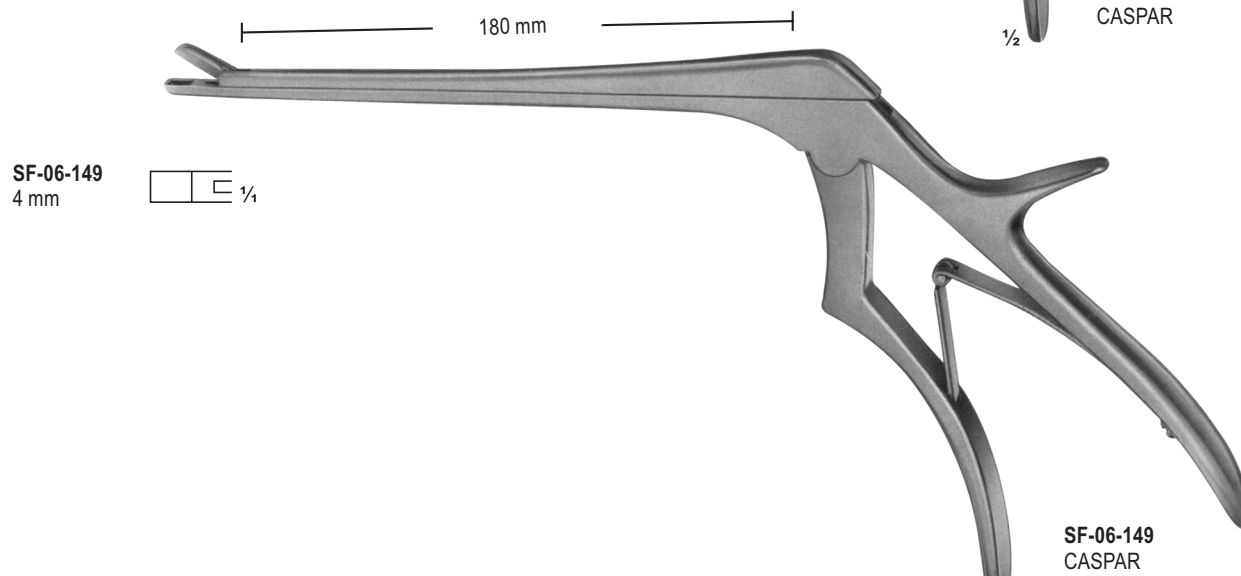
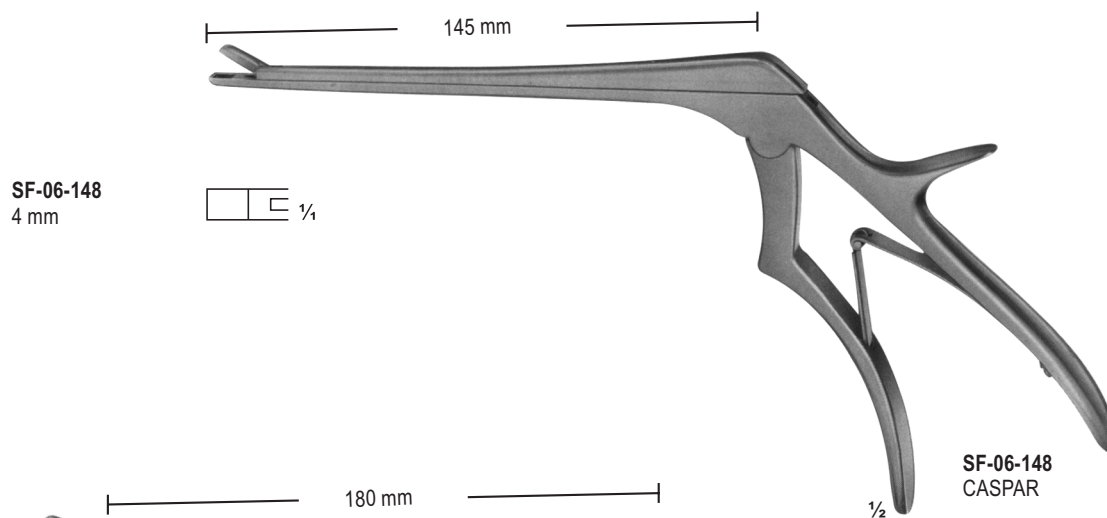


SF-06-146
YASARGIL
2,2 mm



SF-06-147
YASARGIL
3,5 mm





90° upwards cutting

85 mm

SF-06-151
4 mm

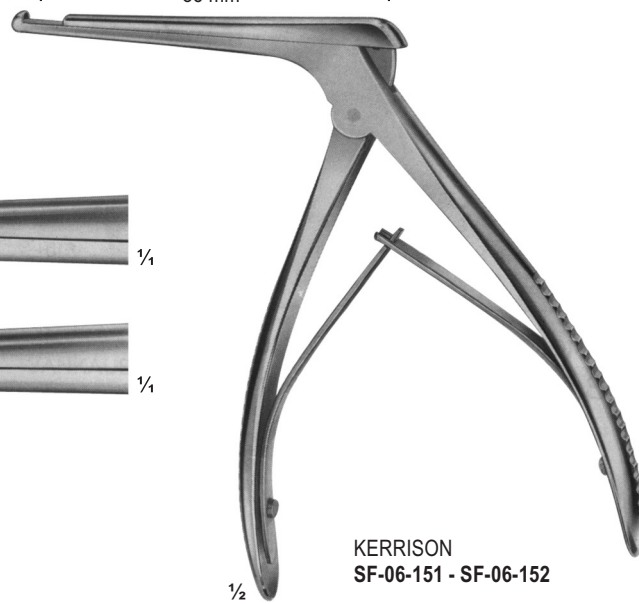


1/4

SF-06-152
5 mm



1/4



KERRISON
SF-06-151 - SF-06-152

1/2

90° upwards cutting

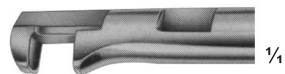
140 mm

SF-06-153
3.3 mm

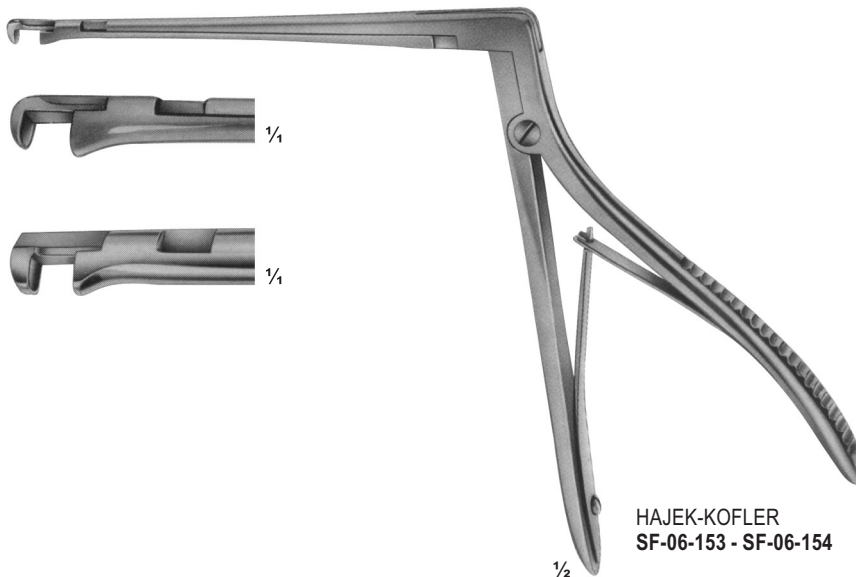


1/4

SF-06-154
4 mm

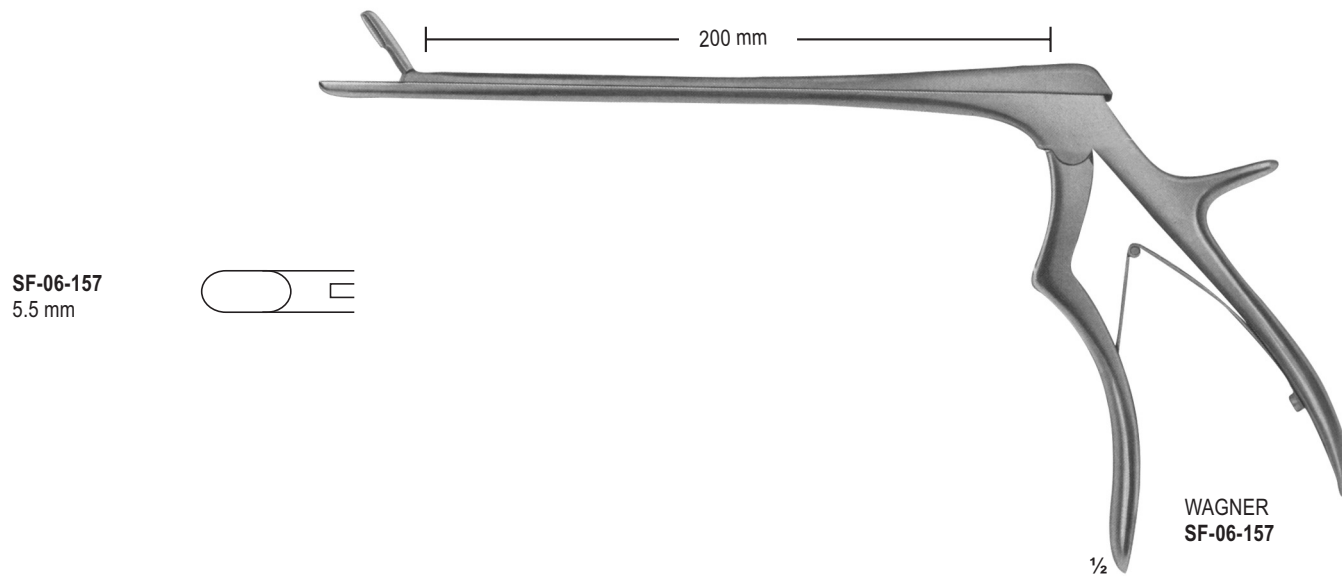
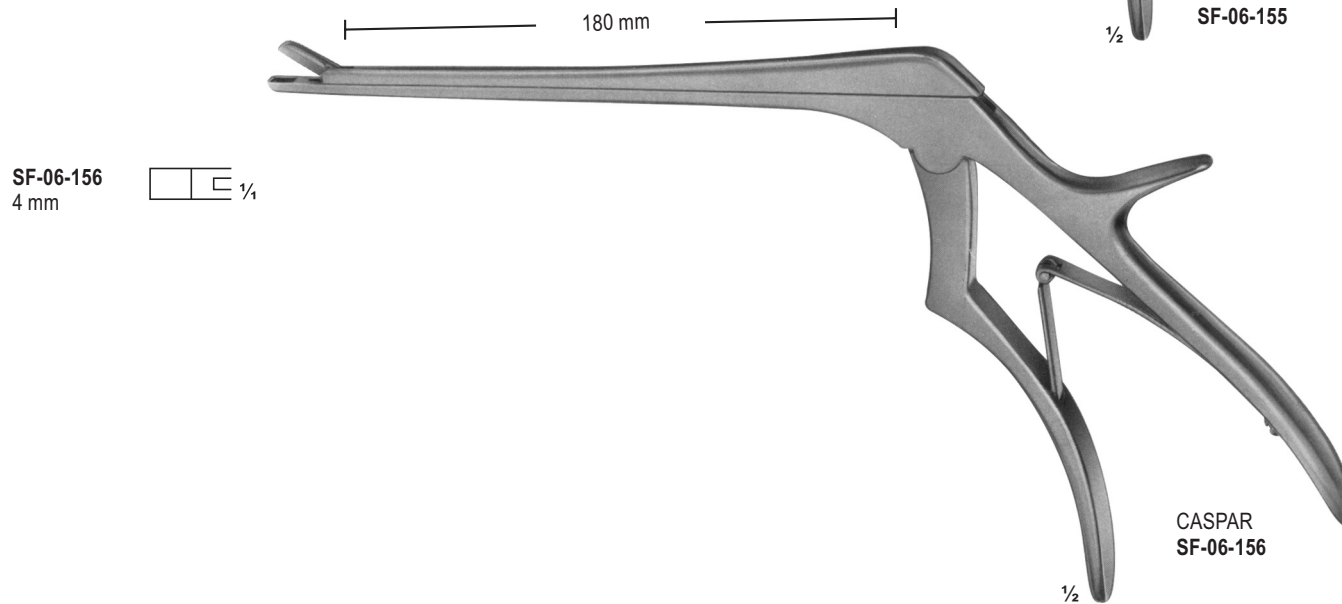
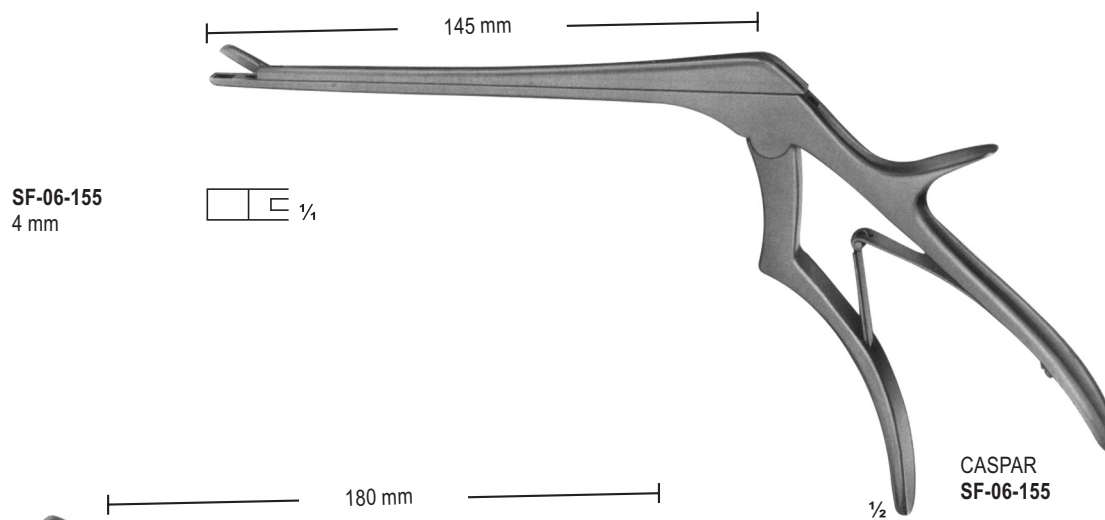


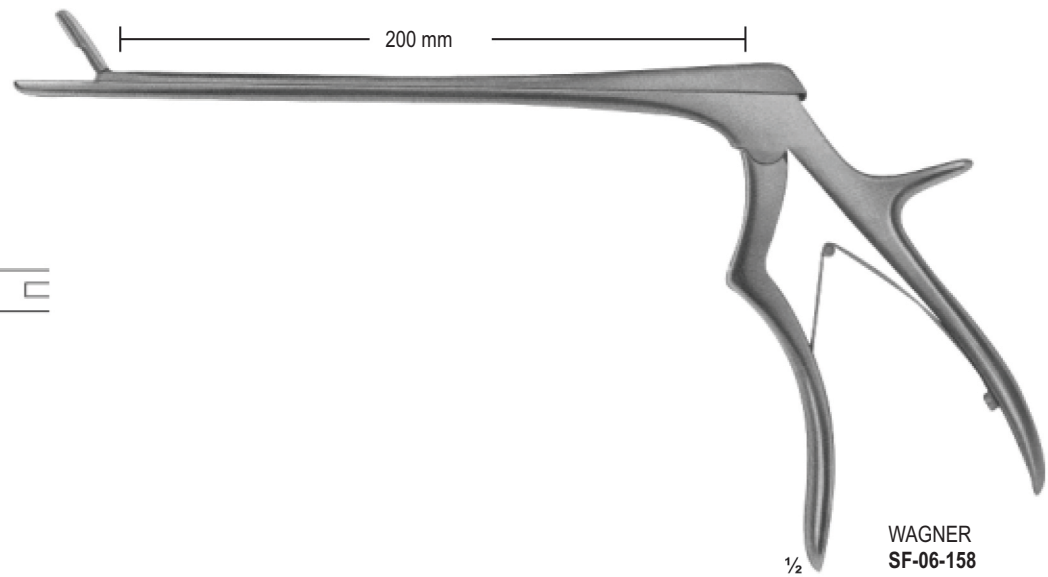
1/4



HAJEK-KOFLER
SF-06-153 - SF-06-154

1/2





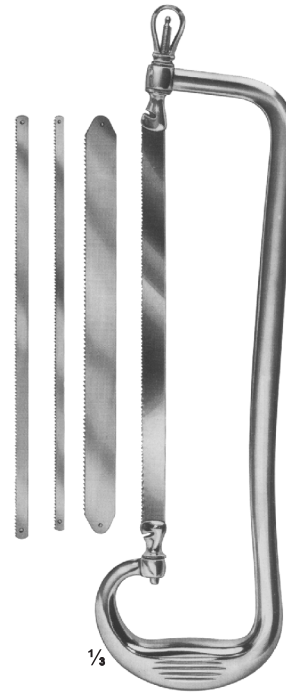
SF-06-158
5.5 mm



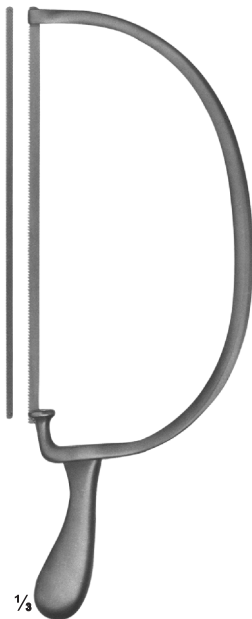
WAGNER
SF-06-158
1/2



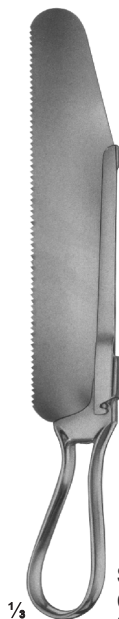
SF-06-159
CHARRIEER
Length of blade
215 mm
complete with one saw
blade each
350 mm
Spare saw blades, carbon steel
SF-06-160 12 mm
SF-06-161 20 mm



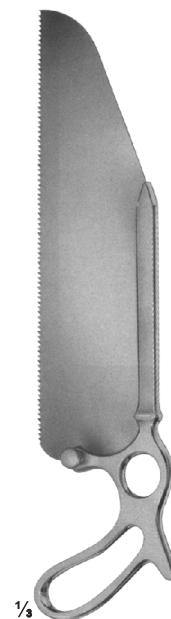
SF-06-162
RUST
Length of blade
235 mm
complete with one saw
blade each
390 mm
SF-06-163 Bow only
Spare saw blades, carbon steel
SF-06-164 6 mm
SF-06-165 12 mm
SF-06-166 20 mm



SF-06-167
BIER
Length of blade
270 mm
complete with one saw
blade each
420 mm
Spare saw blades, carbon steel
SF-06-168 4 mm
SF-06-169 6 mm
SF-06-170 8 mm



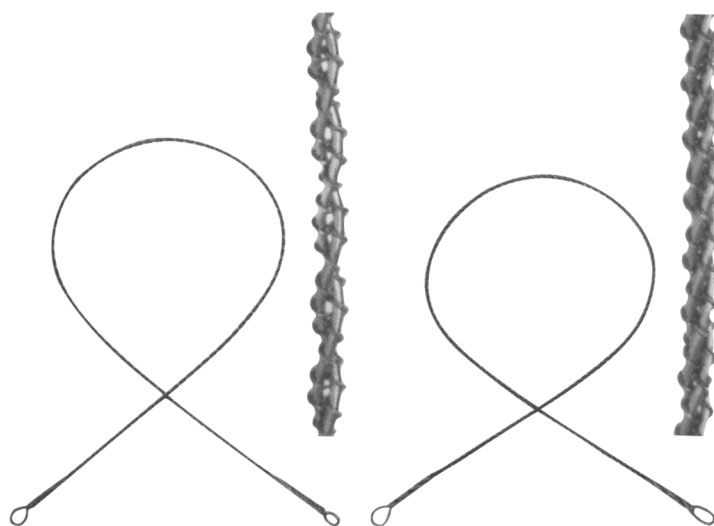
SF-06-171
CHARRIERE
Length of blade
180 mm
Spare saw blades,
carbon steel
SF-06-172
CHARRIERE
Length of blade
240 mm
Spare saw blades,
carbon steel
340 mm



SF-06-173
SATTERLEE
Length of blade
200 mm
Spare saw blades,
carbon steel
290 mm



SF-06-174
LANGENBECK
Length of blade
115 mm
Metacarpal saw
235 mm



OLIVECRONA
SF-06-175 300 mm
SF-06-176 400 mm
SF-06-177 500 mm
SF-06-178 700 mm

GIGLI
SF-06-179 300 mm
SF-06-180 400 mm
SF-06-181 500 mm
fine, 6 wires twisted
SF-06-182
coares, 4 wires twisted



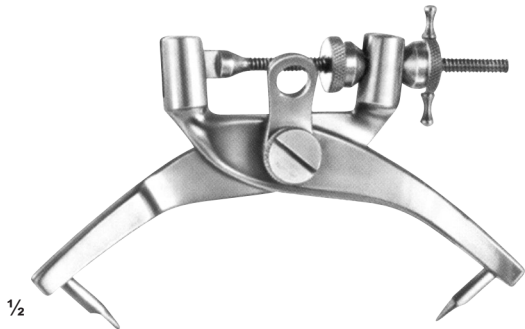
1/4

SF-06-183
GIGLI
Handle



1/2

SF-06-184
LEBSCHKE
Conductor for
wire saws, malleable
250 mm



**CRUTCHFIELD
SF-06-185**
Small Pattern



**CRUTCHFIELD
SF-06-186**
Medium Pattern



SF-06-187
Large Pattern
and Spare Pin

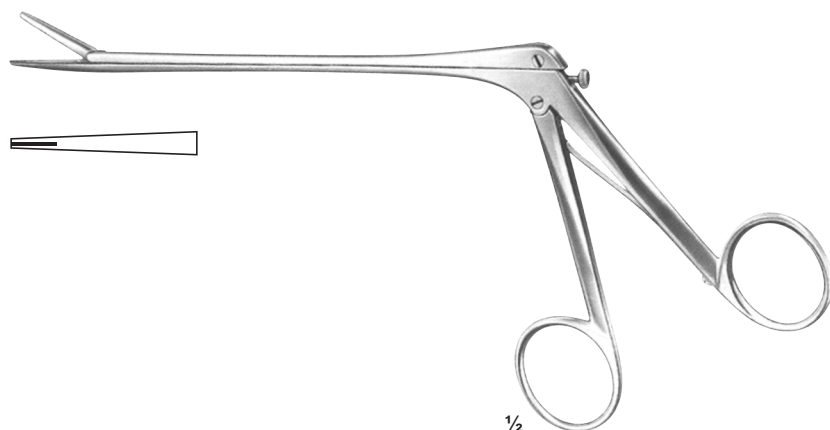


SF-06-188
70 mm
Drill Point



SF-06-189
70 mm
Drill Point





1/2

OLIVECRONA-TOENNIS
SF-06-193
Clip Applying Forceps



1/2

MCKENZIE
SF-06-194
185 mm
Clip Applying Forceps



1/4

KÖLNER
SF-06-195
Scalp Clip



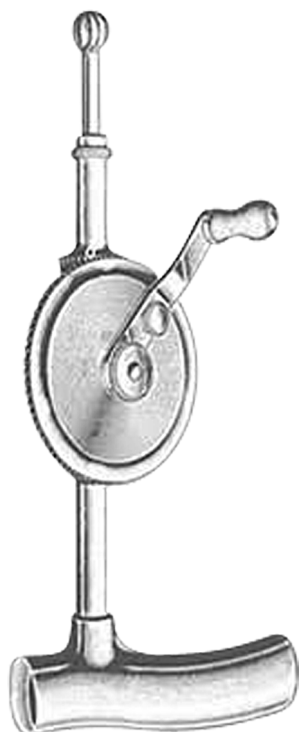
1/4

RANEY
SF-06-196
Scalp Clip



1/2

RANEY
SF-06-197
155 mm
Applying/Removal
Forceps



STILLE
SF-06-198 - SF-06-209
 complete
 20 cm



SF-06-198
 2.5 mm



SF-06-199
 3.0 mm



SF-06-200
 3.5 mm



SF-06-201
 4.0 mm



SF-06-202
 10.0 mm



SF-06-203
 5.0 mm



SF-06-204
 8.0 mm



SF-06-205
 12.0 mm



SF-06-206
 16.0 mm



SF-06-207
 1.0 mm



SF-06-208
 1.5 mm



SF-06-209
 2.0 mm



STILLE-SHERMAN
SF-06-210 - SF-06-212
 complete
 24 cm



SF-06-210
 2.5 mm



SF-06-211
 3.0 mm



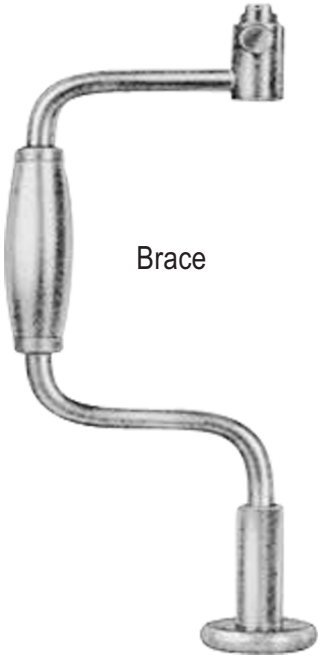
SF-06-212
 3.5 mm



MOORE
SF-06-213
 complete
 28 cm



Set of 3



Brace

HUDSON
SF-06-214 - SF-06-223
Complete Set
27 cm



SF-06-214
9 mm



SF-06-215
14 mm



SF-06-216
16 mm



SF-06-217
22 mm



SF-06-218
14 mm



SF-06-219
Extension
Piece



SF-06-220
Mckenzie
15 mm



SF-06-221
Mckenzie
2.0 mm



SF-06-222
Mckenzie
1.3 mm



SF-06-223
Derrico
1.6 mm



KIRSCHNER
SF-06-224
Complete



Telescope Wire
Dill Guide



SF-06-225
Complete



Telescope Wire
Dill Guide



BUNNELL
SF-06-226



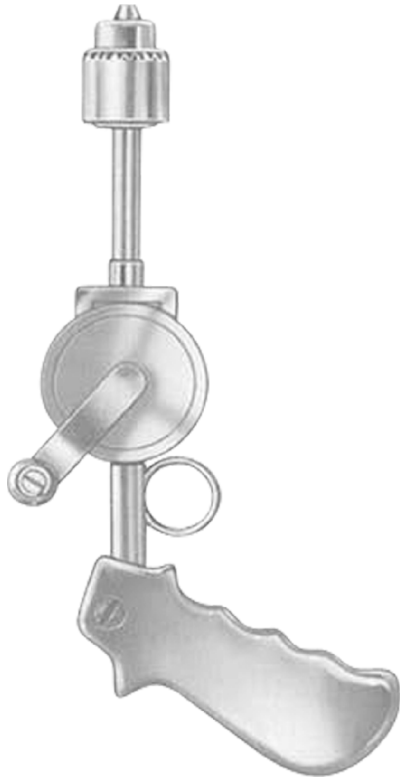
ROLK
SF-06-227



SF-06-228
Drilling chuck, cannulated,
for shanks up to 6.35 mm diam.,
To be tightened by hand
10 cm



SF-06-229
Drilling chuck, cannulated,
for shanks up to 6.35 mm diam.,
With key
16 cm



SF-06-230



Surgiforce Instruments



Opposite Surgical Association,
Malkay Kalan, Marala Road,
Sialkot-51050 Pakistan.



+92 523 559131



info@surgiforce.com
sales@surgiforce.com



www.surgiforce.com



Our Certifications:

ISO 9001	ISO 7151
CE Certified	ISO 17664:2004
EN 13485:2012	ISO 13402
ISO 7153-1	ISO 15223

