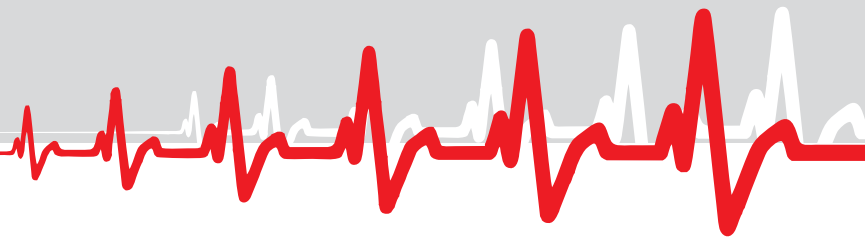


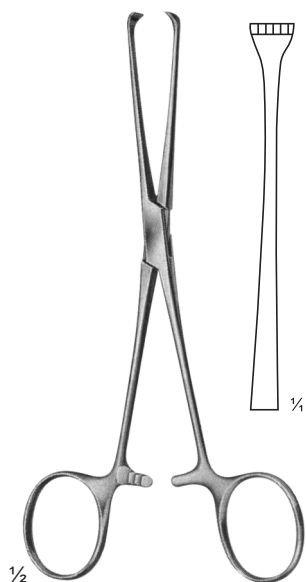
Surgiforce  
Instruments

Page  
500–534

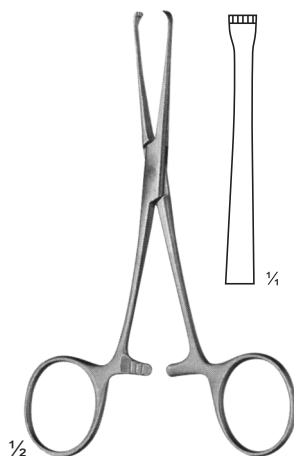
- Abdominal Surgery
- Intestinal and Rectal Instruments



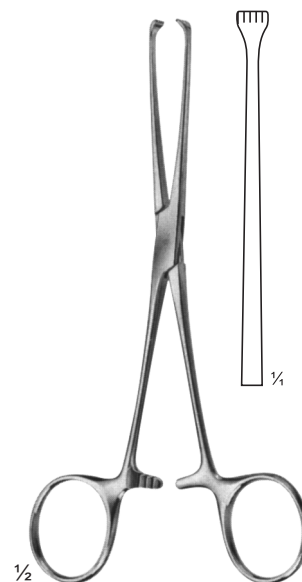
[www.surgiforce.com](http://www.surgiforce.com)



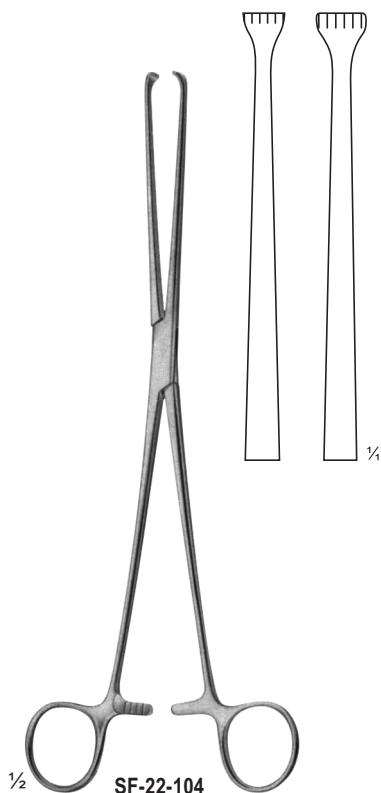
**SF-22-101**  
BOYS-ALLIS  
5 X 6 teeth, sharp  
155 mm,



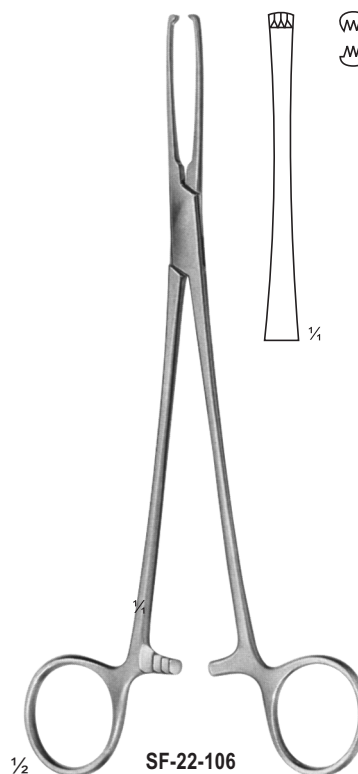
**SF-22-102**  
ALLIS  
4 X 5 teeth  
155 mm,



**SF-22-103**  
ALLIS  
155 mm,  
4 X 5 teeth



**SF-22-104**  
ALLIS  
190 mm,  
**SF-22-105**  
255 mm,  
5 X 6 teeth

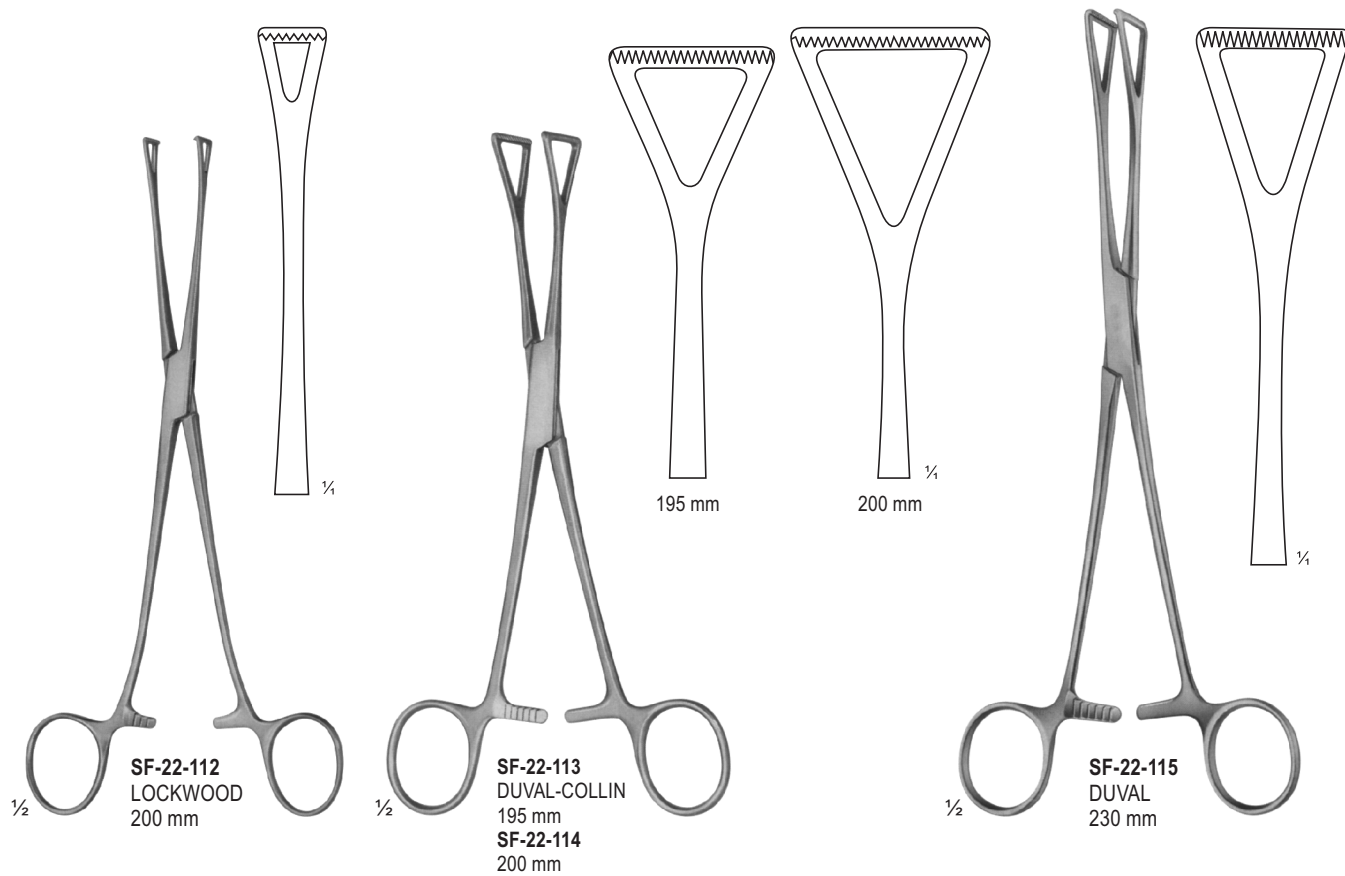
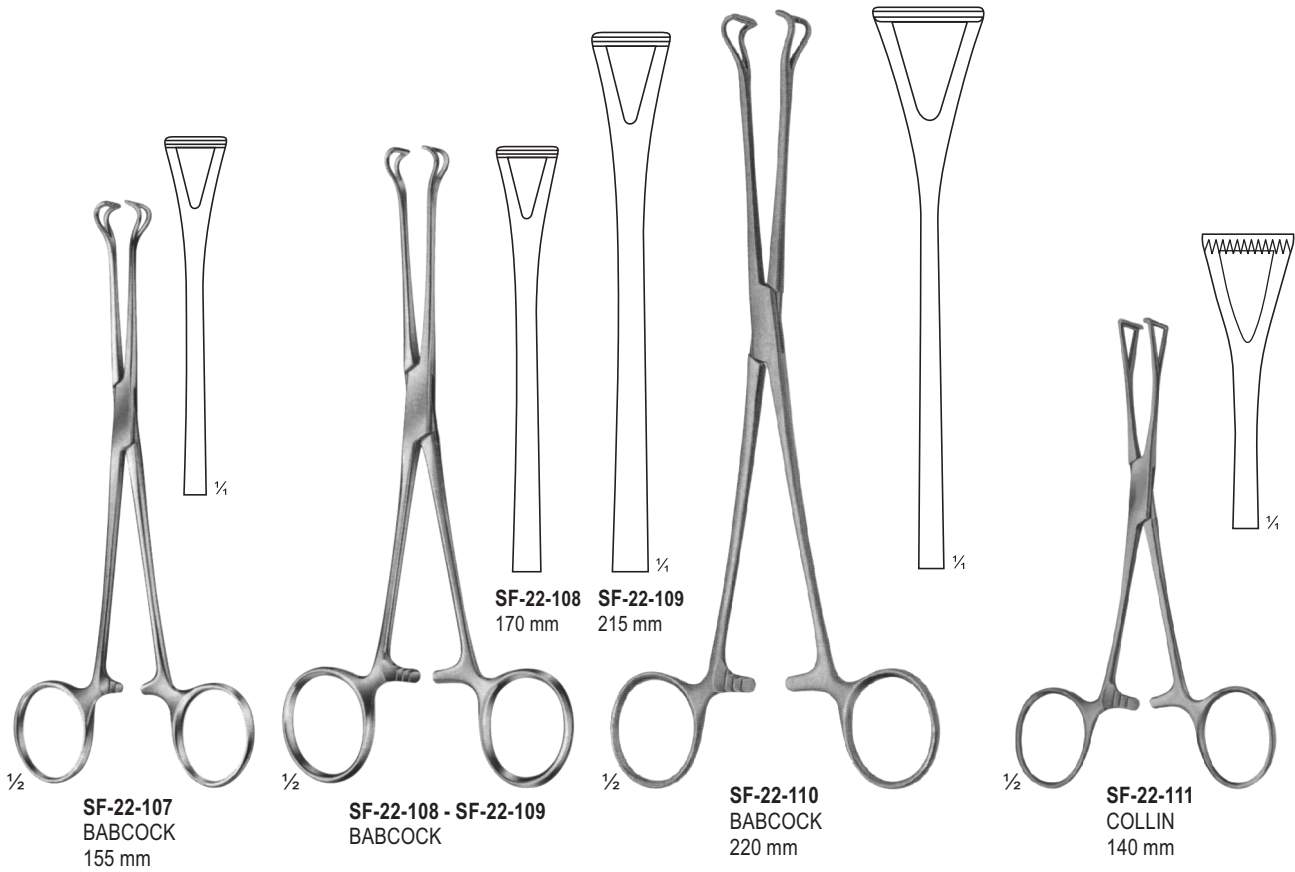


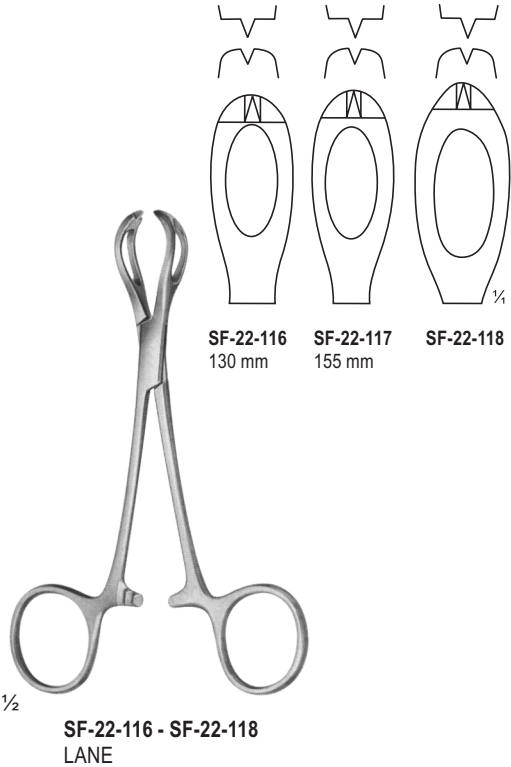
**SF-22-106**  
JUDD-ALLIS  
3 X 4 teeth  
195 mm,

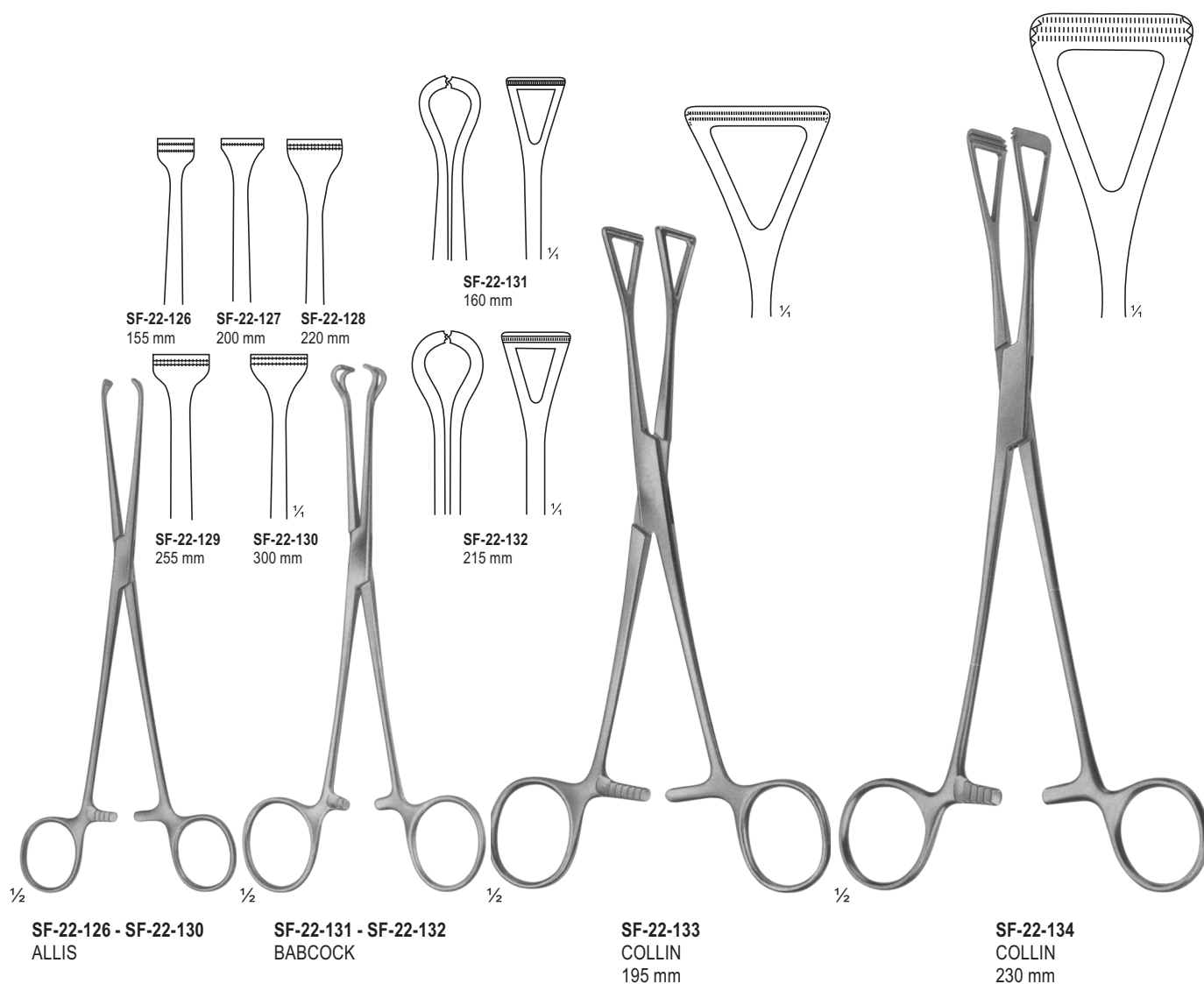


# INTESTINAL GRASPING FORCEPS

[www.surgiforce.com](http://www.surgiforce.com)





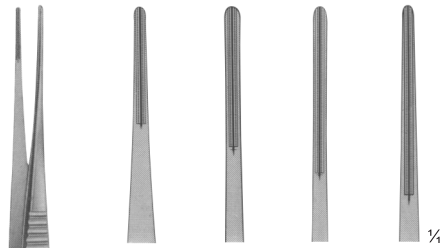




**SF-22-135** 1,2 mm  
**SF-22-136** 1,5 mm  
**SF-22-137** 1,5 mm  
**SF-22-138** 1,5 mm

1/2

- SF-22-135** 150 mm
- SF-22-136** 200 mm
- SF-22-137** 240 mm
- SF-22-138** 300 mm



**SF-22-139** 2 mm  
**SF-22-140** 2 mm  
**SF-22-141** 2 mm  
**SF-22-142** 2mm

1/2

- DE BAKEY
- SF-22-139** 150 mm
- SF-22-140** 200 mm
- SF-22-141** 240 mm
- SF-22-142** 300 mm



**SF-22-143** 2,8 mm  
**SF-22-144** 2,8 m  
**SF-22-145** 2,8 mm  
**SF-22-146** 2,8 mm

1/2

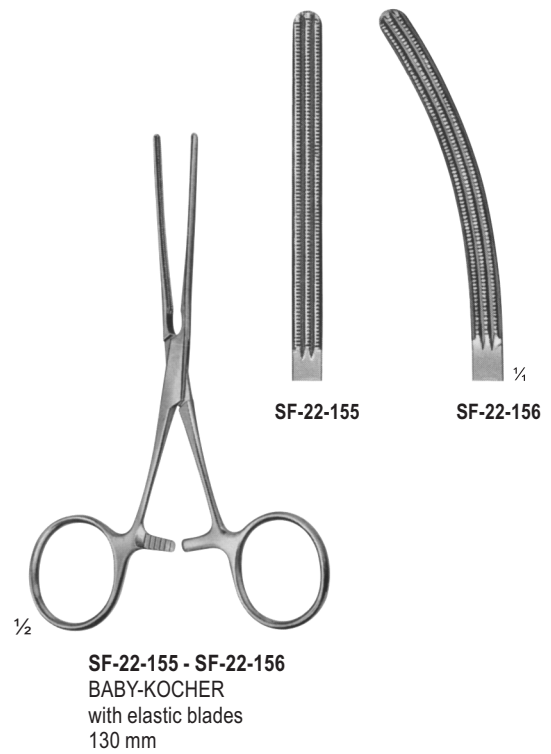
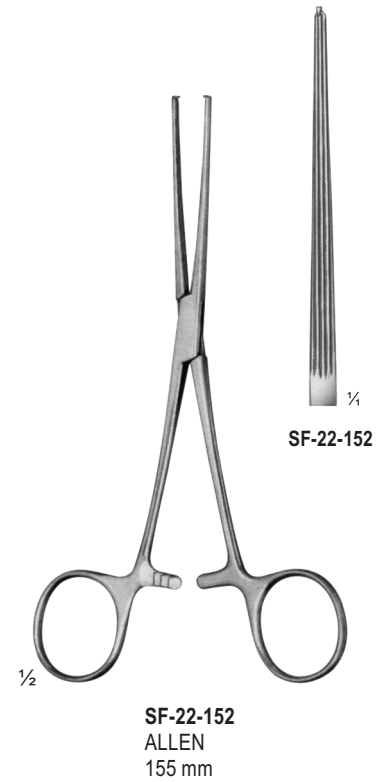
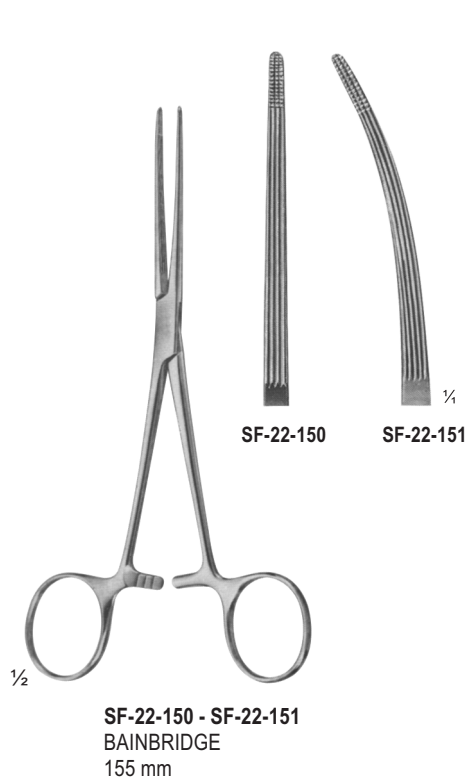
- DE BAKEY
- SF-22-143** 150 mm
- SF-22-144** 200 mm
- SF-22-145** 240 mm
- SF-22-146** 300 mm

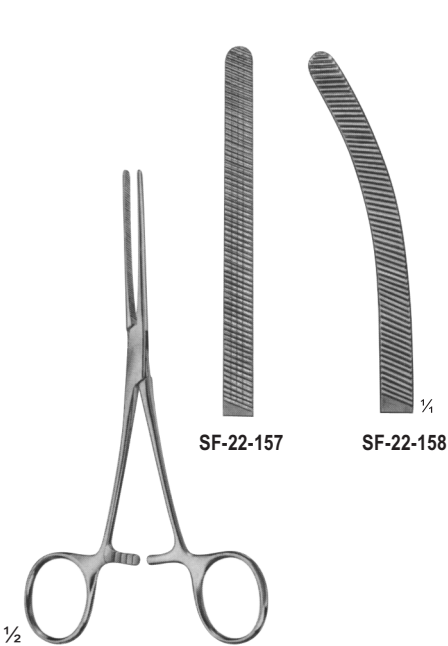


**SF-22-147** 3,3 mm  
**SF-22-148** 3,3mm  
**SF-22-149** 3,3mm

1/2

- DE BAKEY
- SF-22-147** 200 mm
- SF-22-148** 240 mm
- SF-22-149** 300 mm

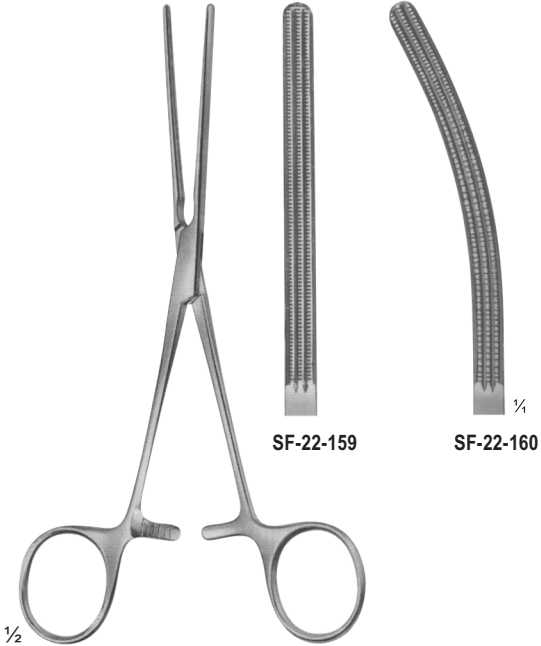




SF-22-157

SF-22-158 1/4

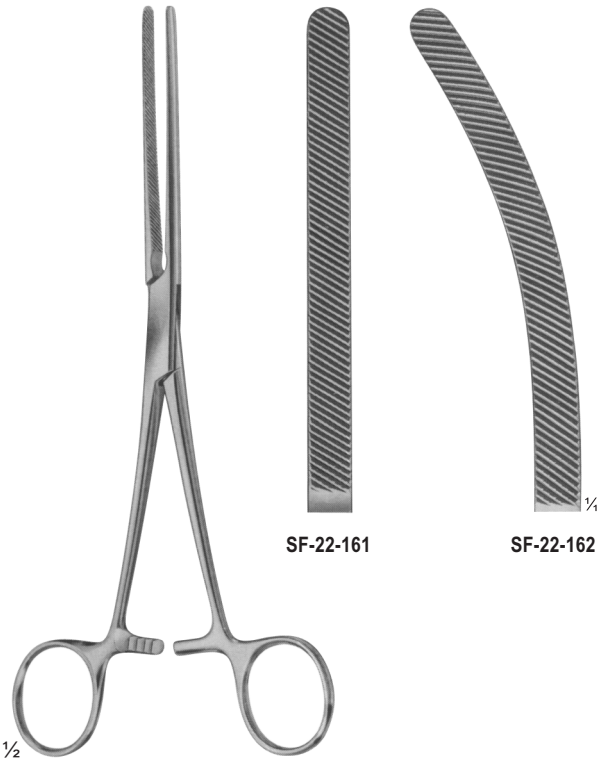
1/2  
**SF-22-157 - SF-22-158**  
DOYEN  
elastic  
165 mm



SF-22-159

SF-22-160 1/4

1/2  
**SF-22-159 - SF-22-160**  
DOYEN  
with elastic blades  
170 mm



SF-22-161

SF-22-162 1/4

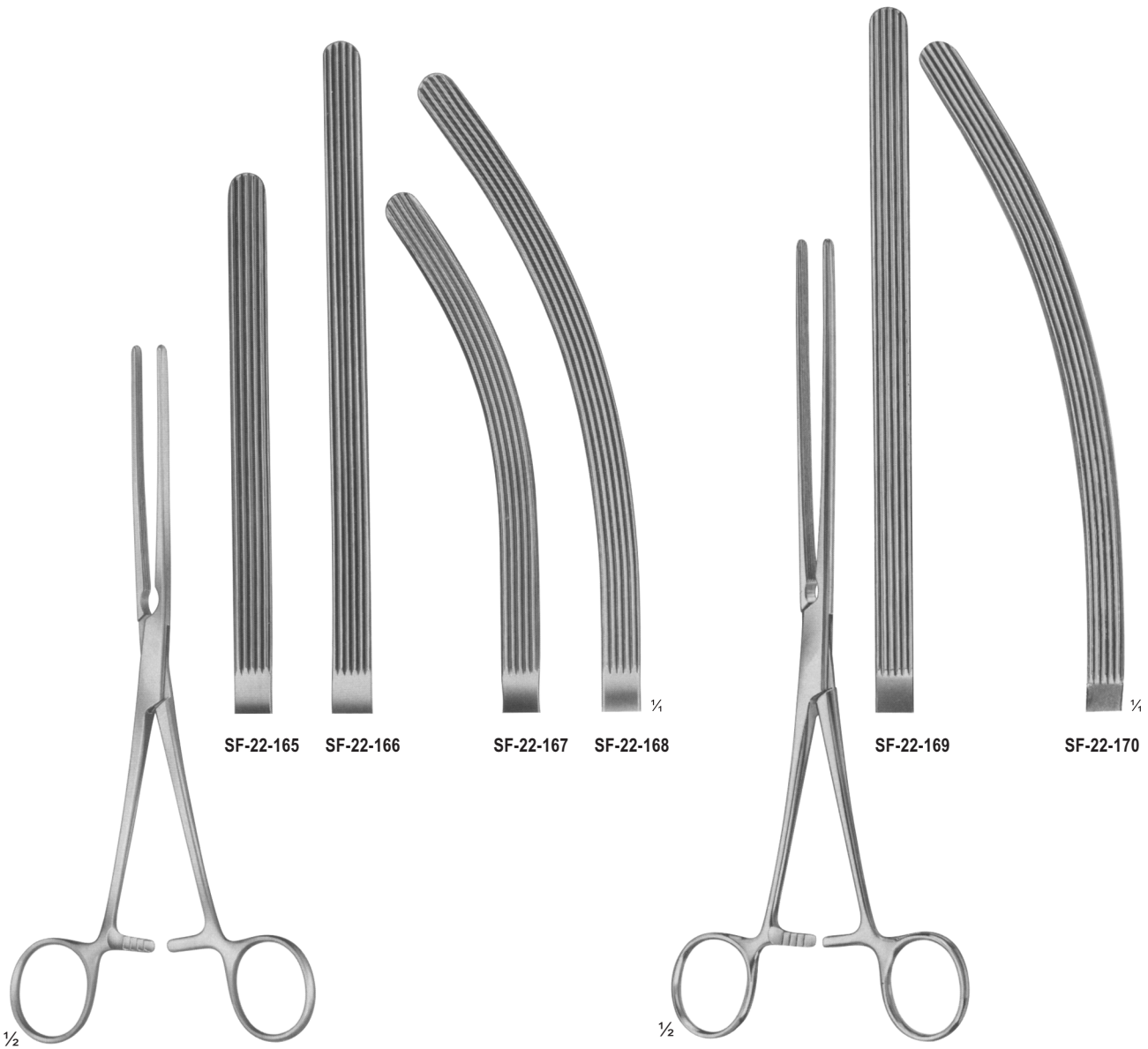
1/2  
**SF-22-161 - SF-22-162**  
HARTMANN  
with elastic blades  
200 mm



SF-22-163

SF-22-164 1/4

1/2  
**SF-22-163 - SF-22-164**  
HARTMANN  
with elastic blades  
200 mm



SF-22-165

SF-22-166

SF-22-167

SF-22-168

SF-22-169

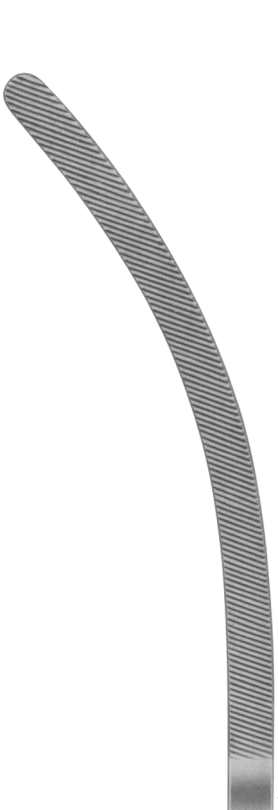
SF-22-170

**SF-22-165 - SF-22-168**  
KOCHER  
with elastic blades  
SF-22-167 210 mm  
SF-22-168 230 mm

**SF-22-169 - SF-22-170**  
DOYEN  
with elastic blades  
210 mm



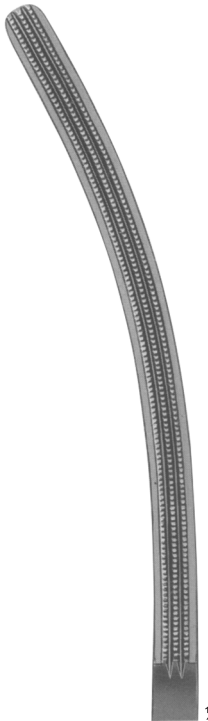
SF-22-171



SF-22-172



SF-22-173

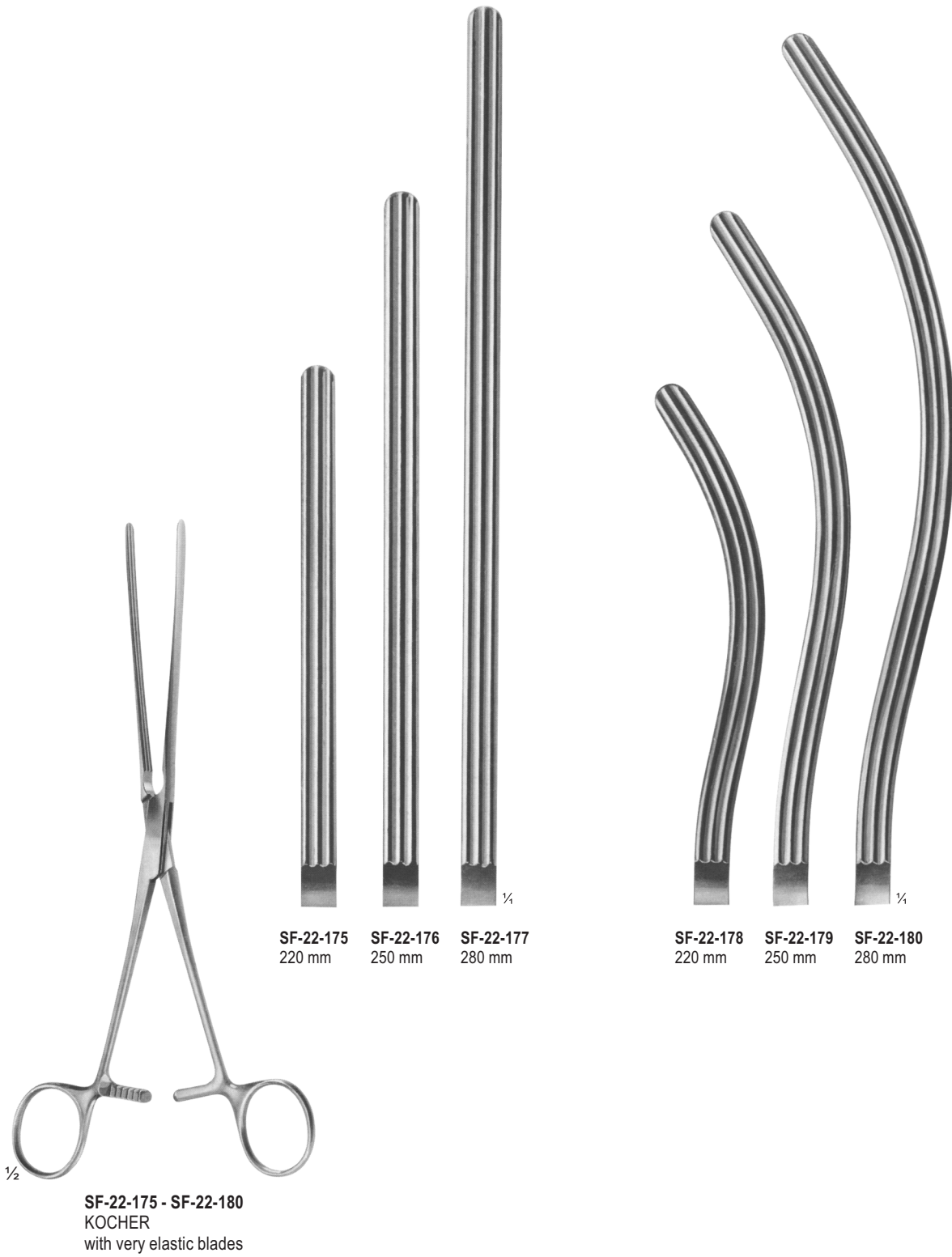


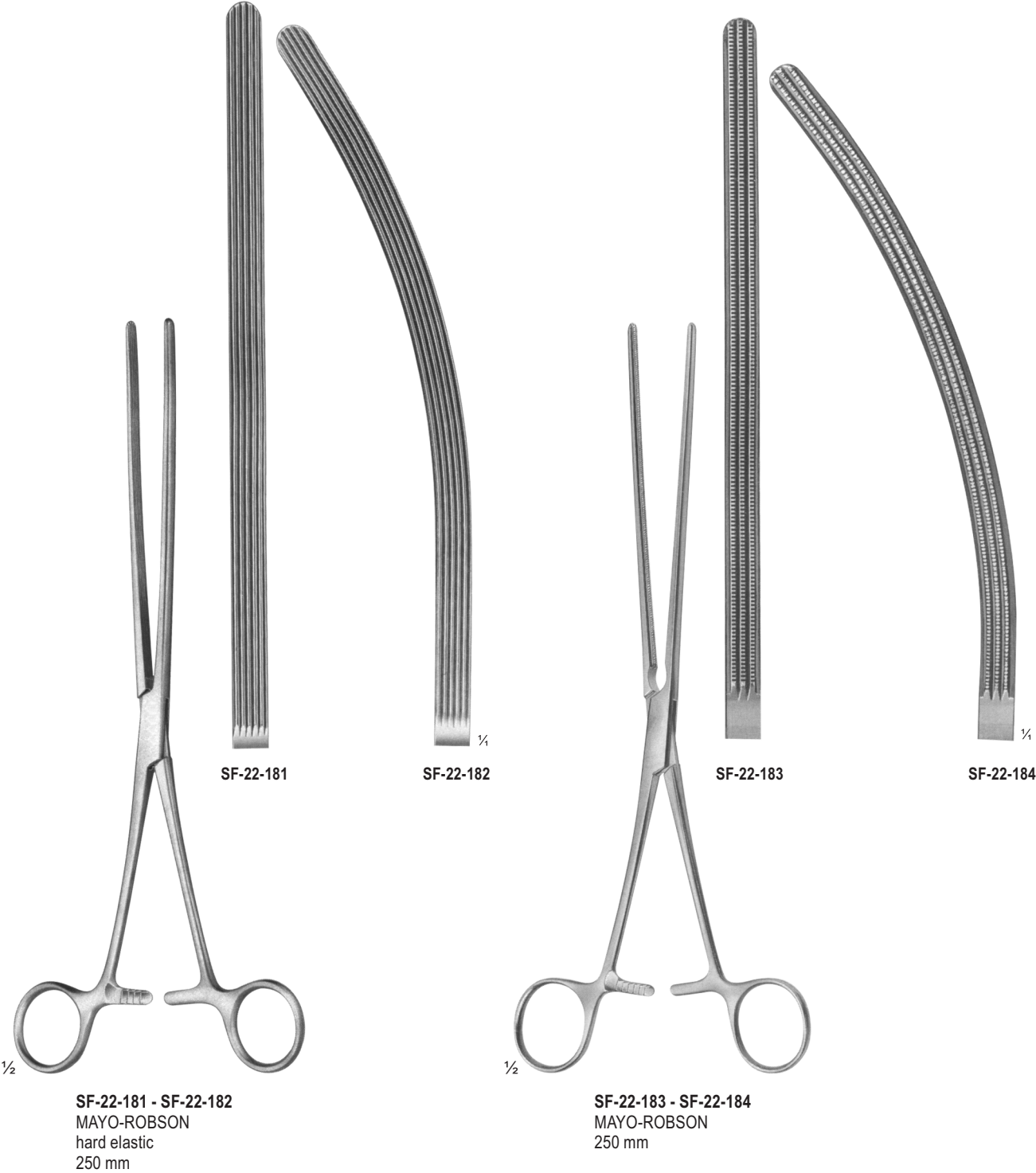
SF-22-174

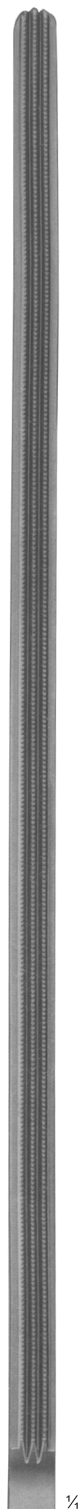
SF-22-171 - SF-22-172  
DOYEN  
with elastic blades  
235 mm

SF-22-173 - SF-22-174  
DOYEN  
with elastic blades  
230 mm







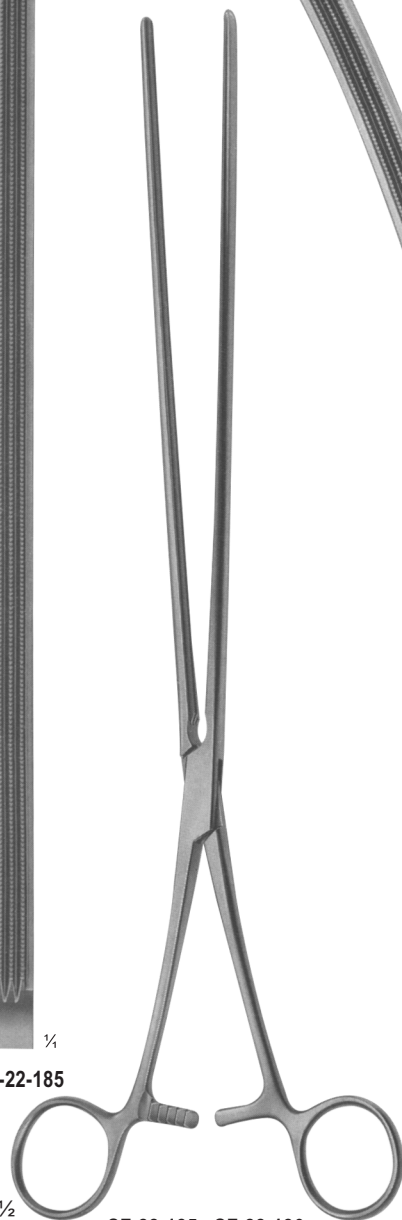


SF-22-185

1/2



SF-22-186

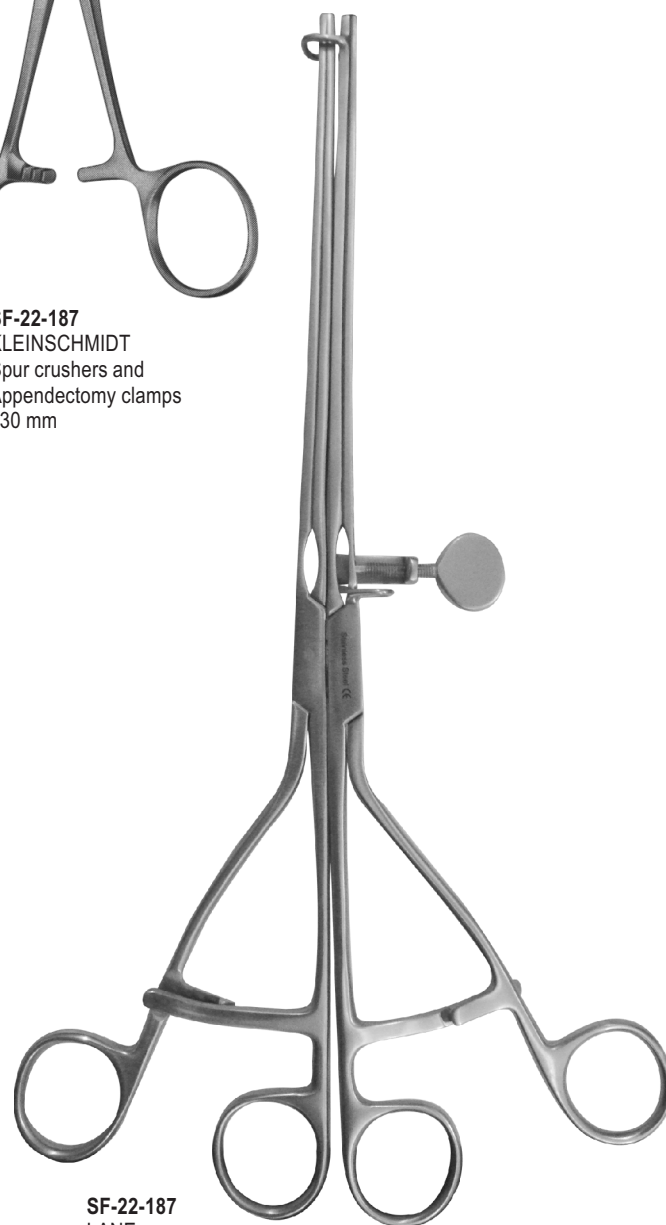


SF-22-185 - SF-22-186  
SCUDDER  
330 mm



1/2

SF-22-187  
KLEINSCHMIDT  
Spur crushers and  
Appendectomy clamps  
130 mm



SF-22-187  
LANE  
310 mm, 12"



**SF-22-188**  
PAYR  
Intestinal clamp light  
pattern, for children  
180 mm

**SF-22-189**  
PAYR  
200 mm

**SF-22-190**  
PAYR  
275 mm

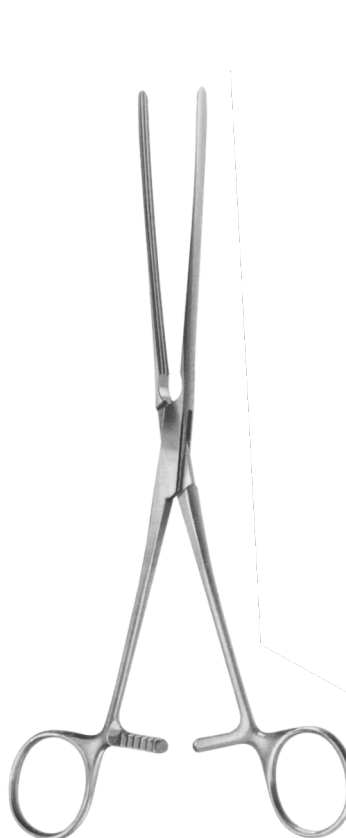
**SF-22-191**  
PAYR  
Pylorus clamp  
315 mm



**BRUNNER**  
**SF-22-192**  
230 mm

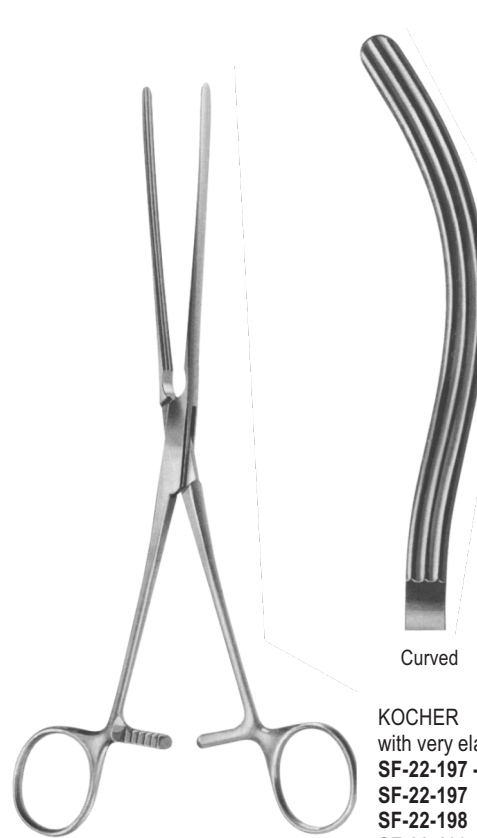


**FEILAND**  
**SF-22-193**  
240 mm



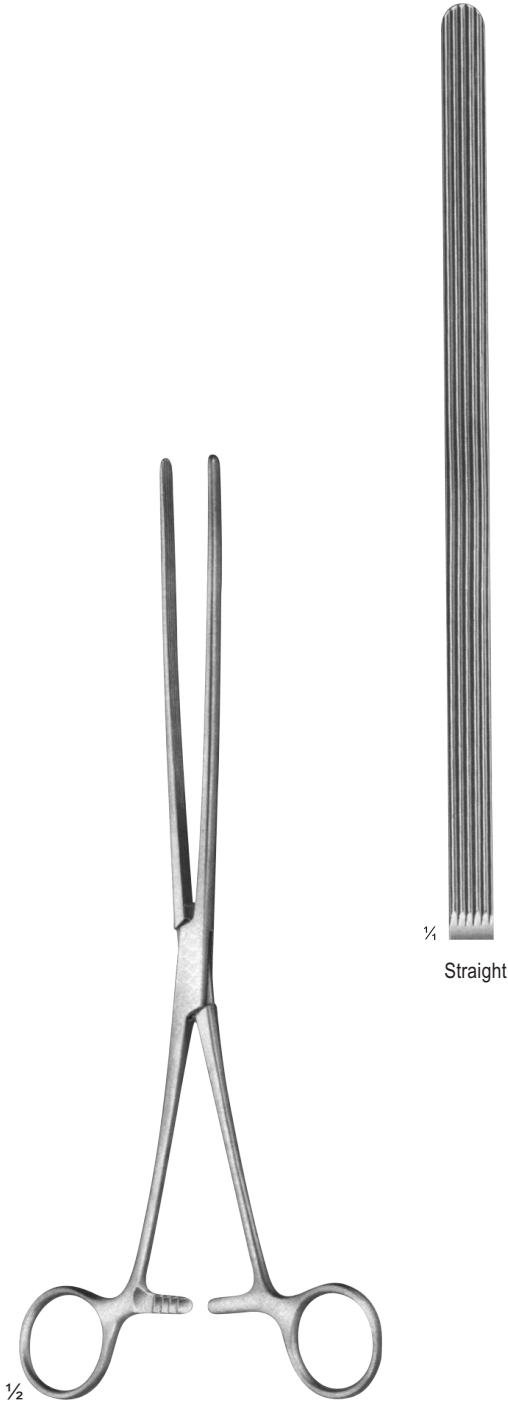
Straight

**KOCHER**  
with very elastic blades  
**SF-22-194 - SF-22-196**  
**SF-22-194** 22 cm  
**SF-22-195** 25 cm  
**SF-22-196** 28 cm

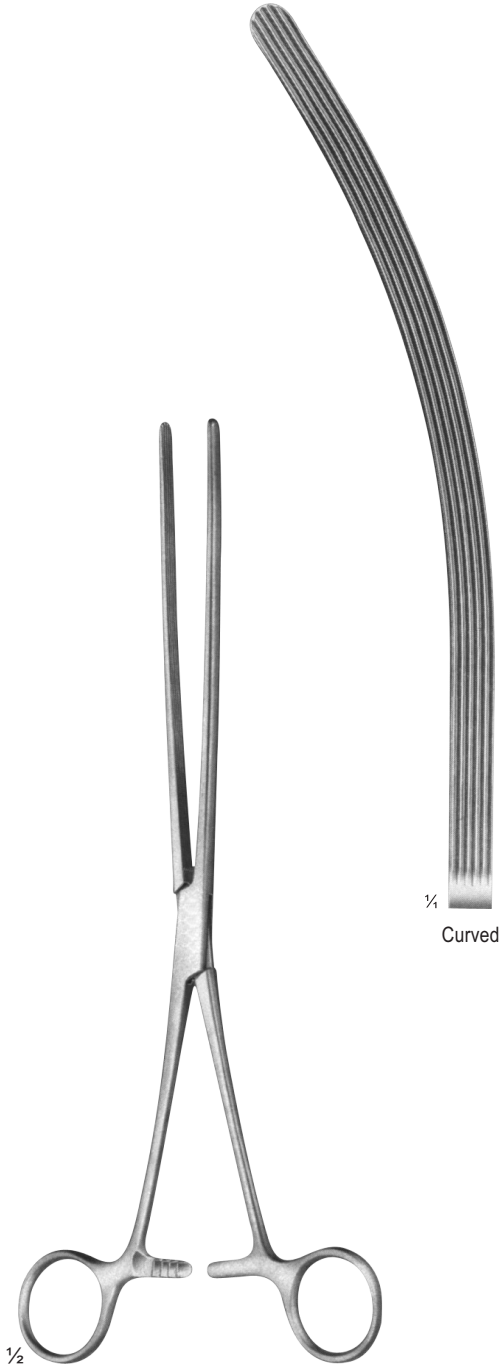


Curved

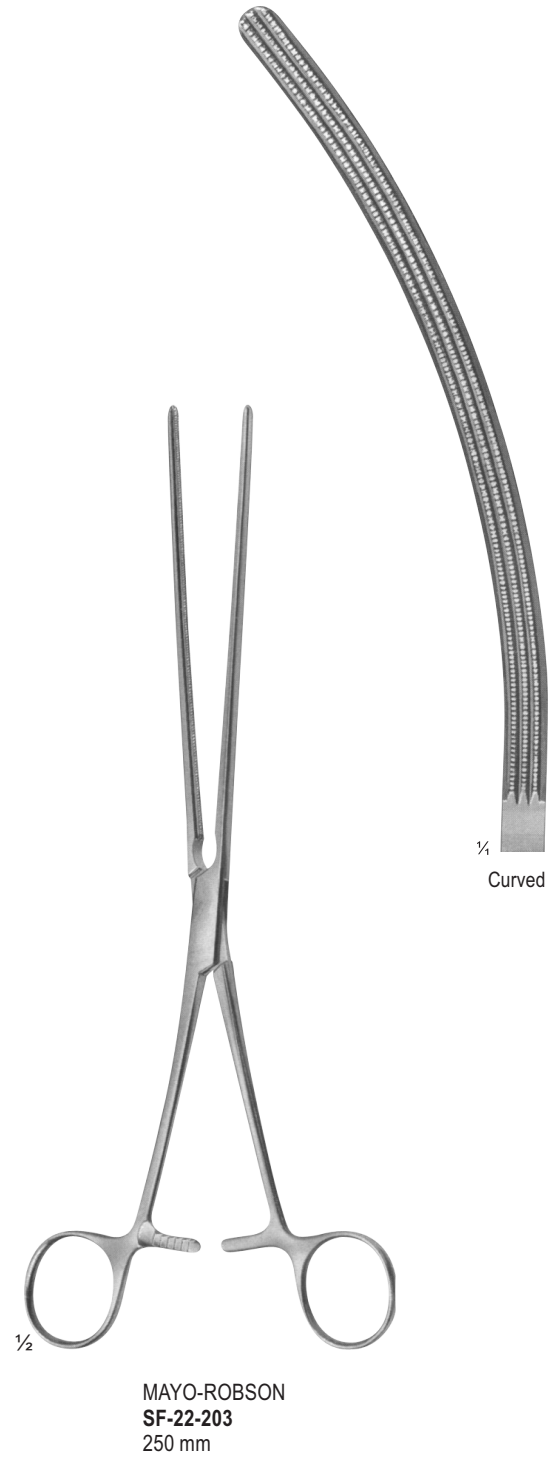
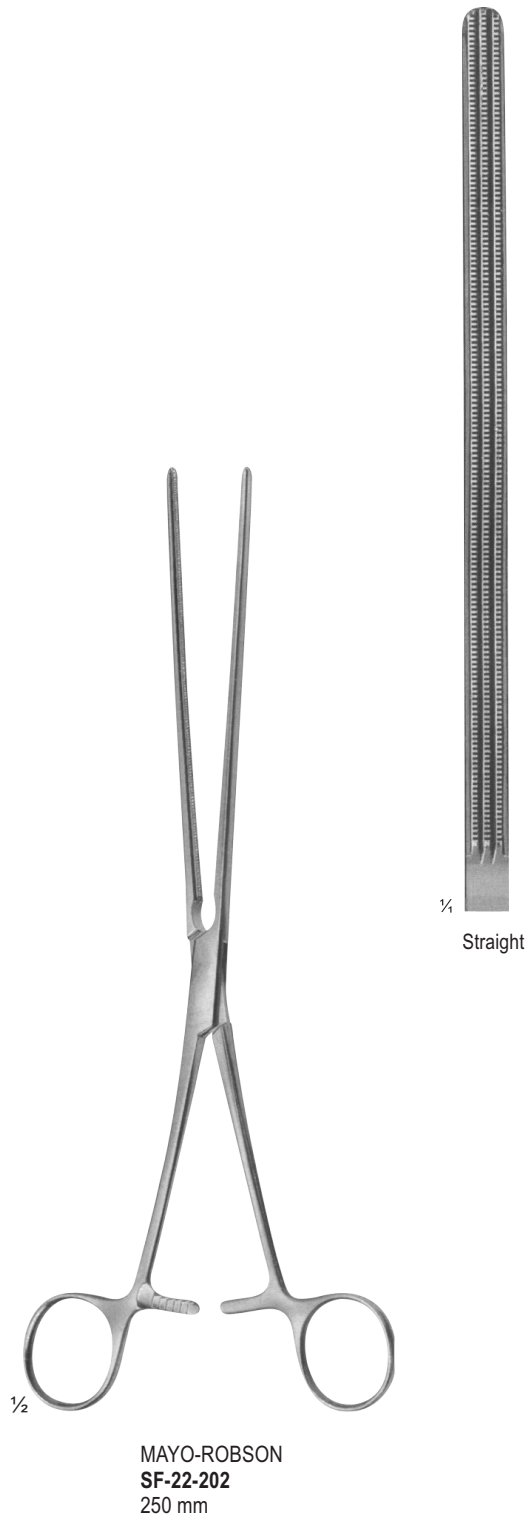
**KOCHER**  
with very elastic blades  
**SF-22-197 - SF-22-199**  
**SF-22-197** 22 cm  
**SF-22-198** 25 cm  
**SF-22-199** 28 cm



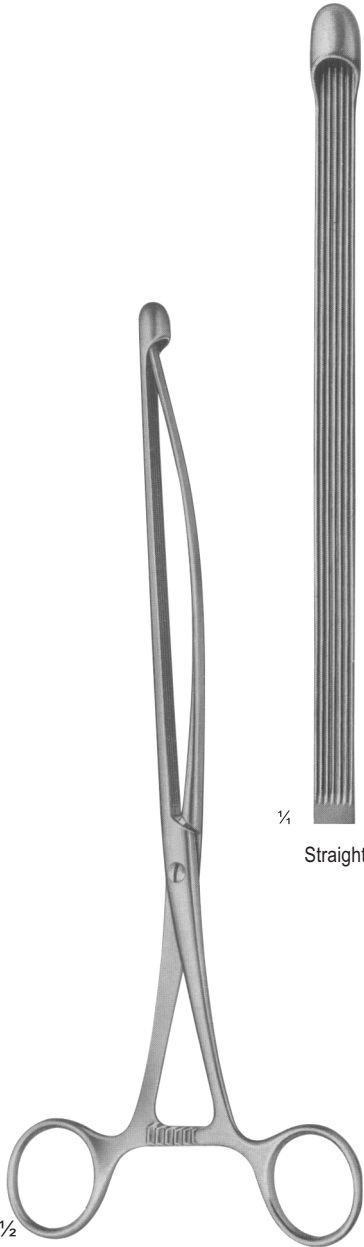
MAYO-ROBSON  
SF-22-200  
hard elastic  
250 mm



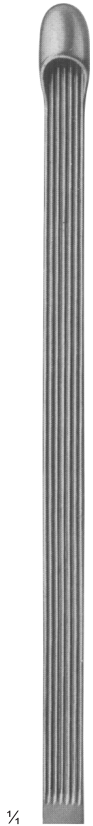
MAYO-ROBSON  
SF-22-201  
hard elastic  
250 mm







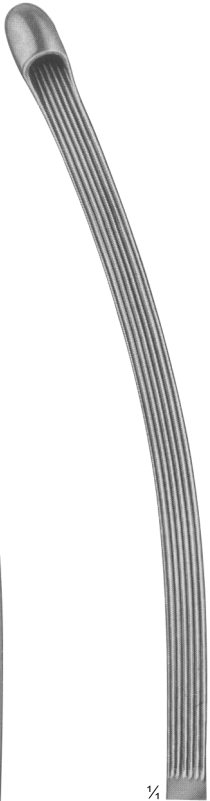
NUSSBAUM  
SF-22-204  
with elastic blades  
250 mm



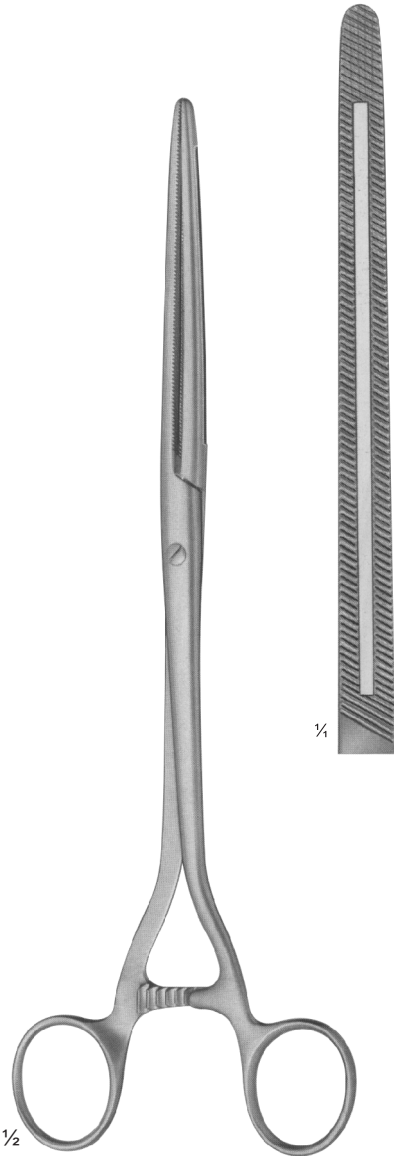
Straight



NUSSBAUM  
SF-22-205  
with elastic blades  
250 mm



Curved



MOYNIHAN  
SF-22-206  
280 mm



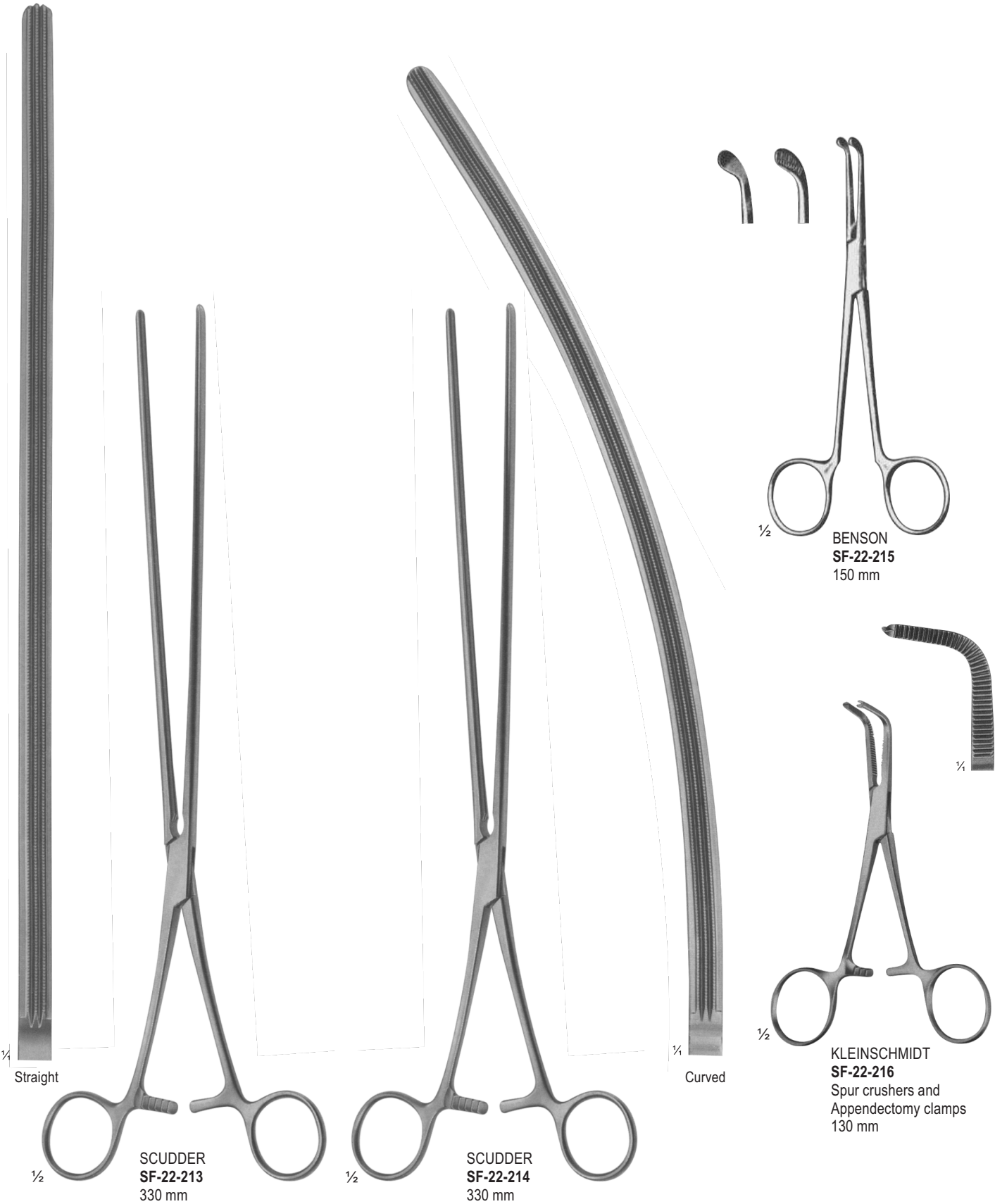


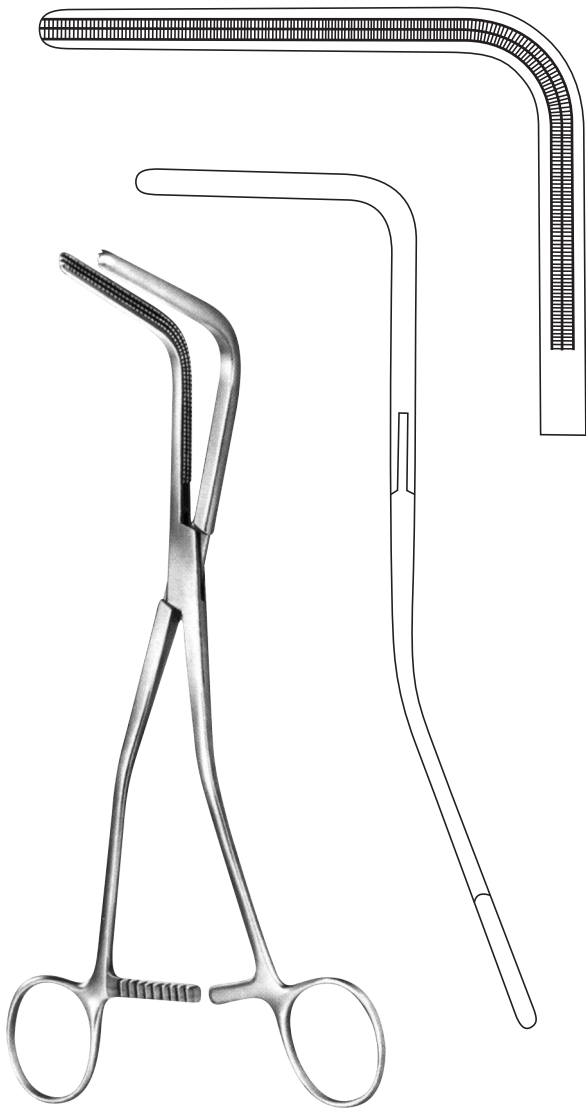


**PARKER-KERR**  
**SF-22-207**  
anastomosis forceps  
for colon resection  
180 mm

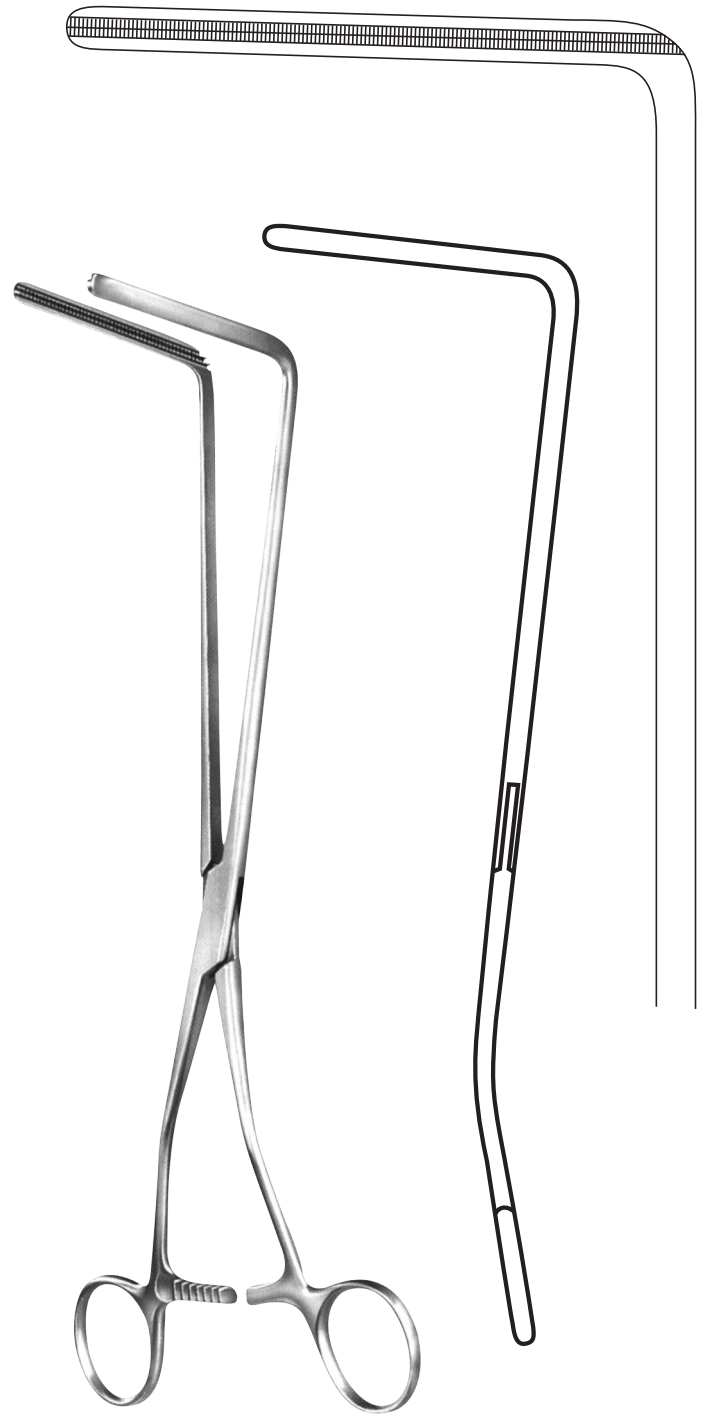
**DICK**  
pressure clamps  
**SF-22-208 - SF-22-211**  
**SF-22-208** 180 mm  
**SF-22-209** 255 mm  
**SF-22-210** 265 mm  
**SF-22-211** 275 mm

**LLOYD-DAVIS**  
**SF-22-212**  
315 mm

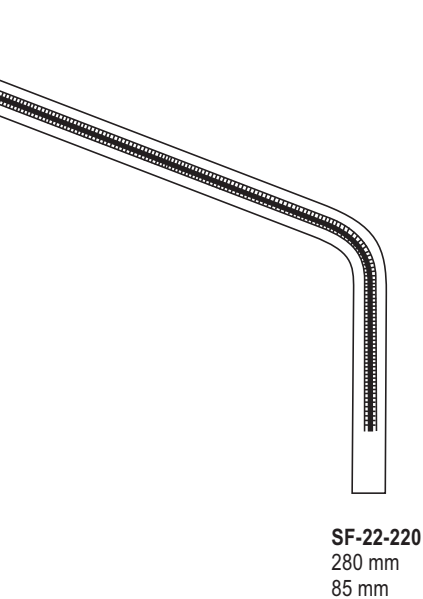
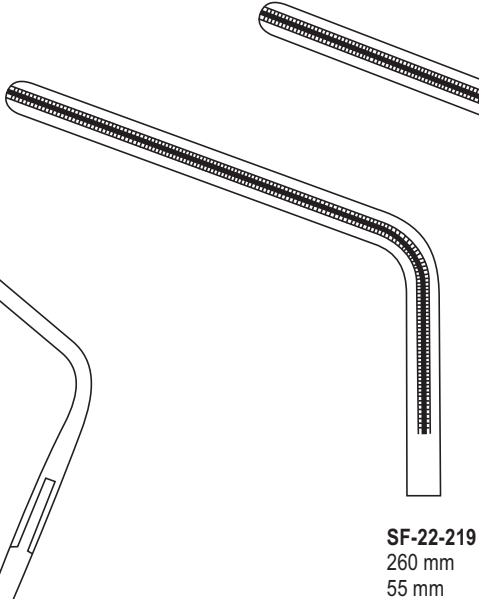
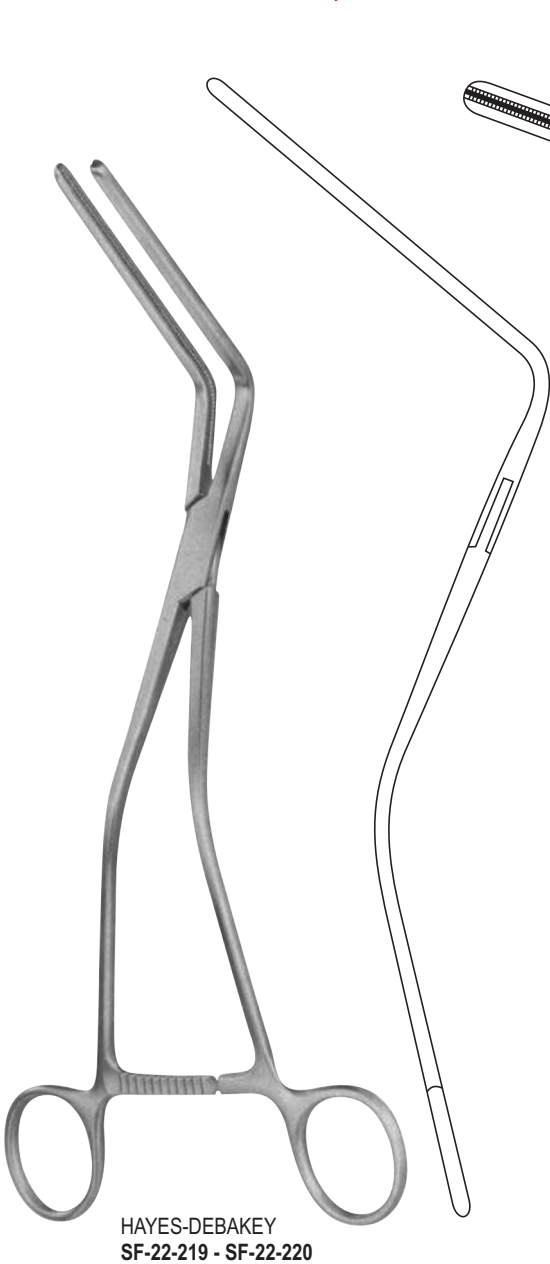


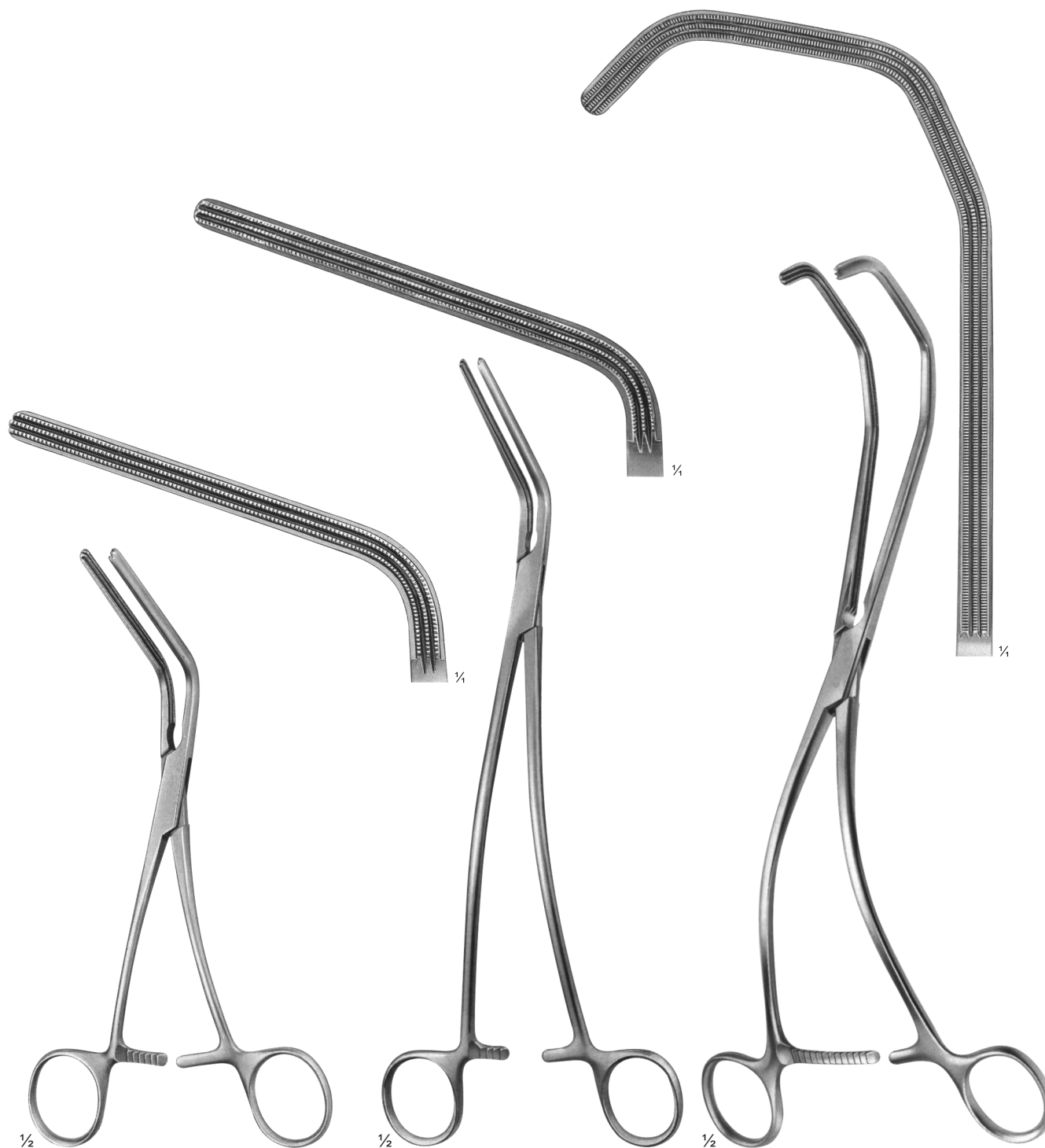


VEIDENHEIMER  
SF-22-217  
250 mm



RESANO  
SF-22-218  
280 mm





1/2

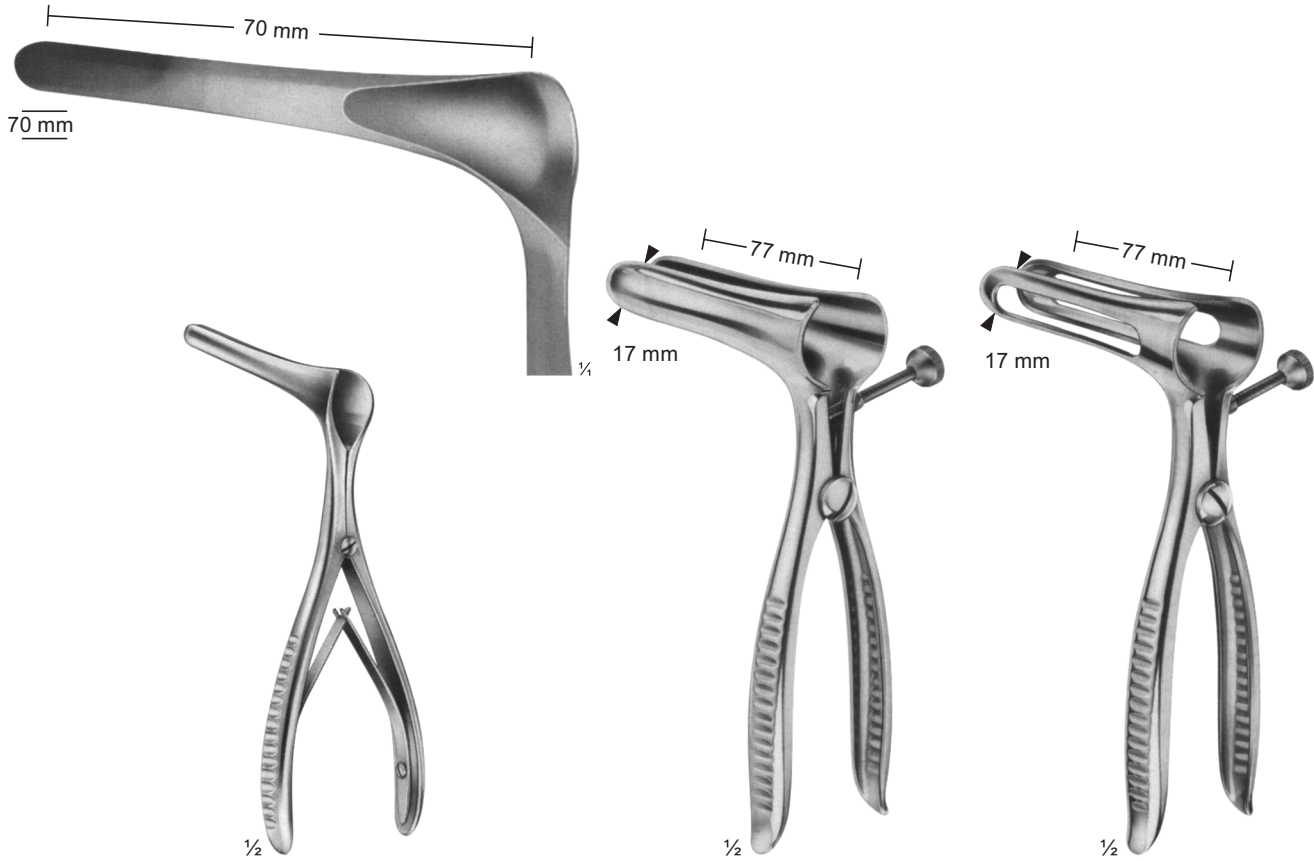
**SF-22-222**  
MORRIS  
175 mm

1/2

**SF-22-223**  
DE BAKEY  
(MORRIS modif.)  
240 mm

1/2

**SF-22-224**  
KERSTING  
270 mm



SF-22-225  
KILLIAN  
for children  
145 mm

SF-22-226  
SIMS  
160 mm

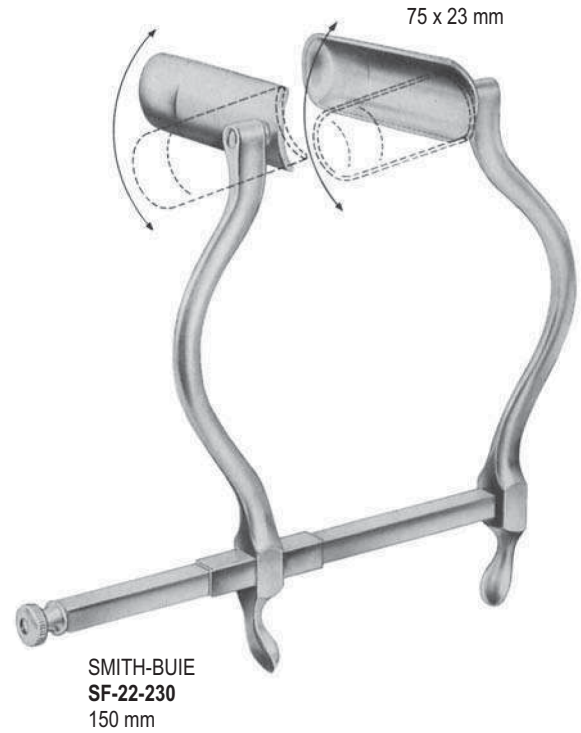
SF-22-227  
SIMS  
160 mm



**CZERNY**  
**SF-22-228**  
220 mm



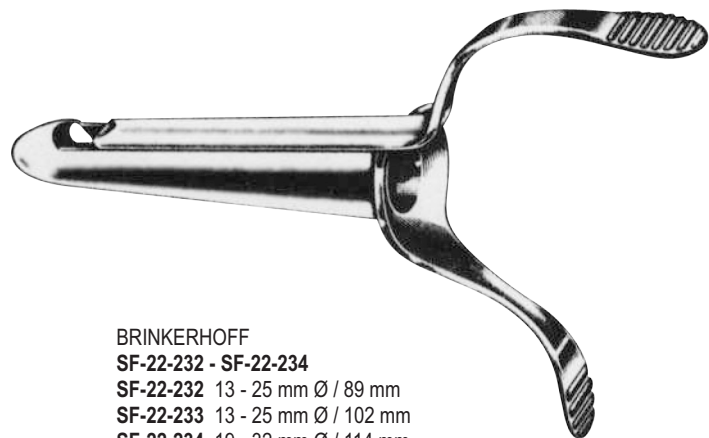
**ROSCHKE**  
**SF-22-229**  
with fibre optic



**SMITH-BUIE**  
**SF-22-230**  
150 mm

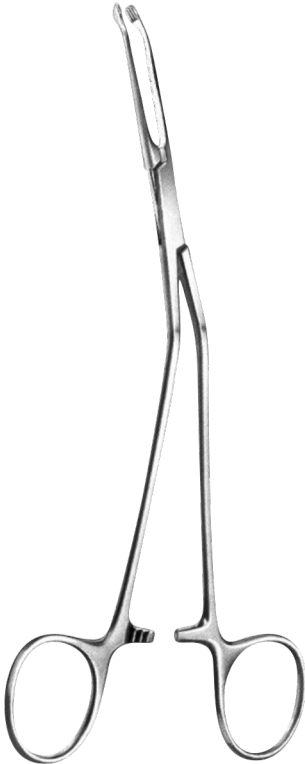


**BARR**  
**SF-22-231**  
170 mm

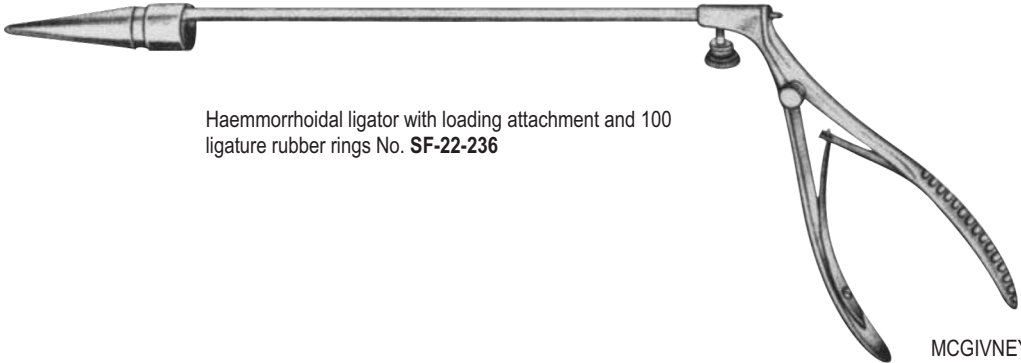


**BRINKERHOFF**  
**SF-22-232 - SF-22-234**  
**SF-22-232** 13 - 25 mm Ø / 89 mm  
**SF-22-233** 13 - 25 mm Ø / 102 mm  
**SF-22-234** 19 - 32 mm Ø / 114 mm



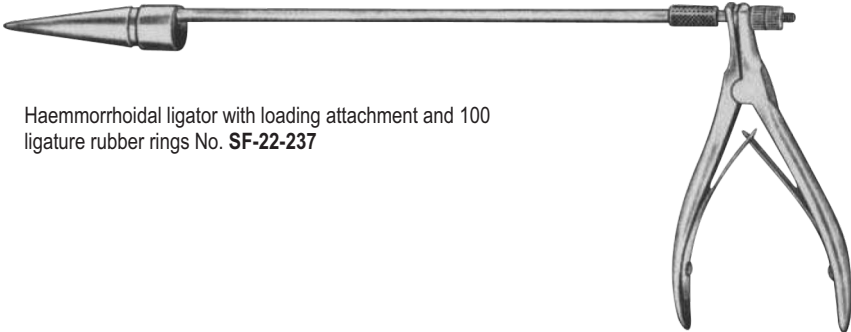


MCGIVNEY  
SF-22-235  
190 mm



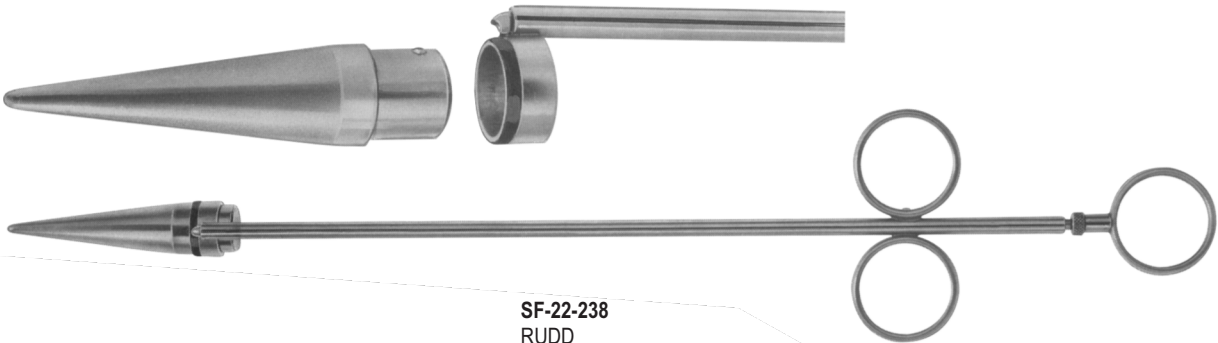
Haemorrhoidal ligator with loading attachment and 100  
ligature rubber rings No. SF-22-236

MCGIVNEY  
SF-22-236



Haemorrhoidal ligator with loading attachment and 100  
ligature rubber rings No. SF-22-237

FORD-DIXON  
SF-22-237

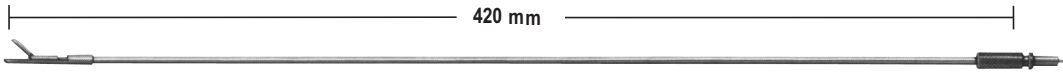


SF-22-238  
RUDD  
Haemorrhoidal ligator  
with loading  
attachment and 100  
ligature rubber rings  
315 mm

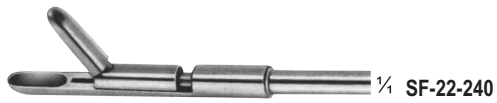


RUDD  
SF-22-239  
100 pieces



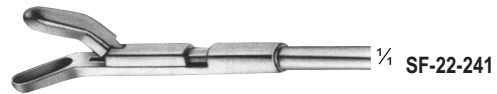


3.5 mm



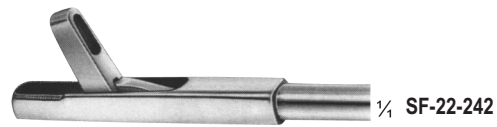
1/4 SF-22-240

3.5 mm



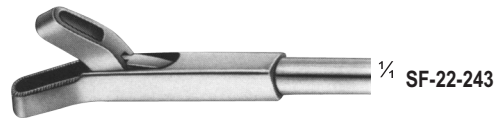
1/4 SF-22-241

4 mm



1/4 SF-22-242

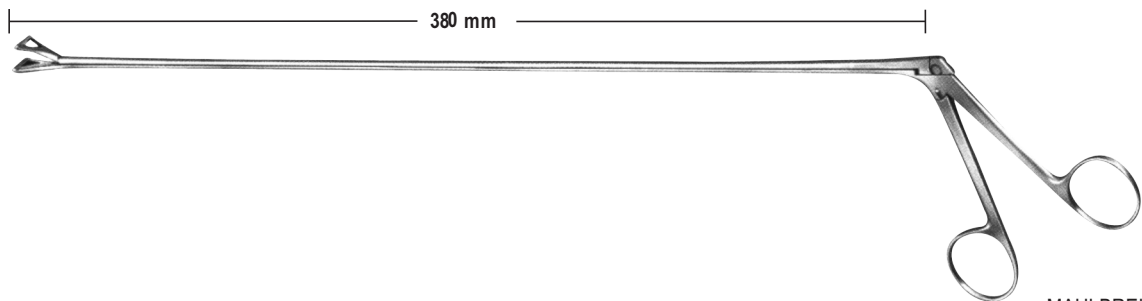
4 mm



1/4 SF-22-243



SF-22-240 - SF-22-243  
Handle for 265 - 266 - 267 - 268



MAULBREITE  
JAW WIDTH  
SF-22-244  
380 mm  
15 mm



BUIE  
SF-22-245  
160 mm



PRATT  
SF-22-246 - SF-22-248  
215 mm



Fig. 1  
SF-22-246



Fig. 2  
SF-22-247

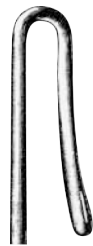
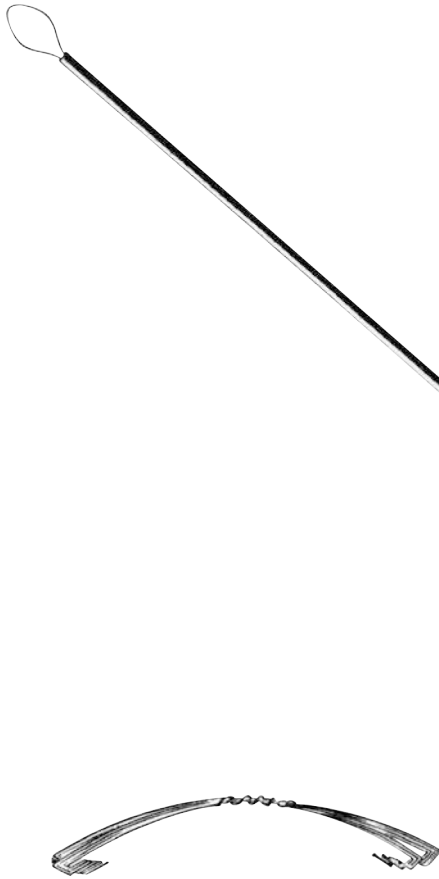


Fig. 3  
SF-22-248



SF-22-249  
12 pieces / 12 piezas



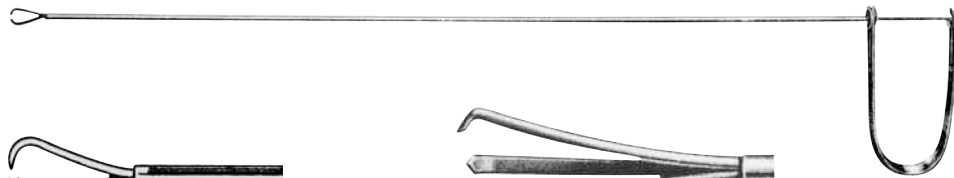
WESTON  
SF-22-250  
300 mm



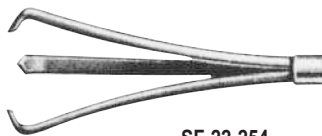
NORWOOD  
SF-22-251  
300 mm



BUIE  
SF-22-252  
300 mm



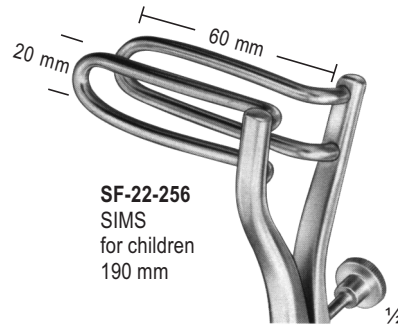
SF-22-253  
380 mm



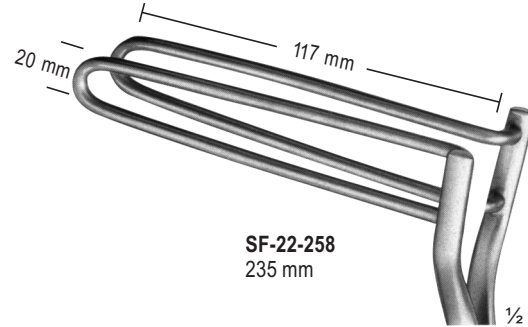
SF-22-254  
380 mm



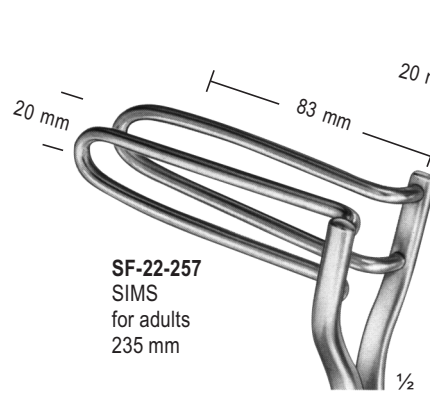
KATZENSTEIN  
SF-22-255  
90 mm



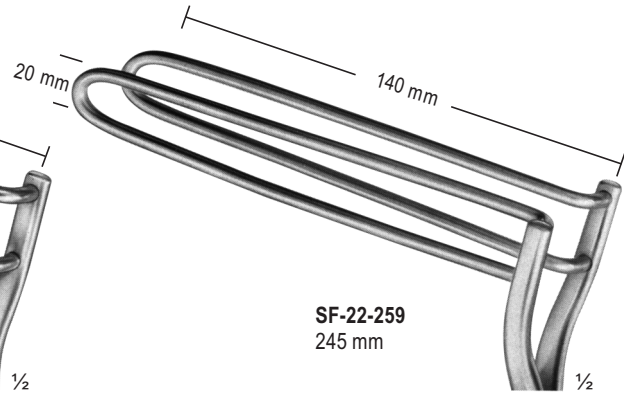
**SF-22-256**  
SIMS  
for children  
190 mm



**SF-22-258**  
235 mm



**SF-22-257**  
SIMS  
for adults  
235 mm



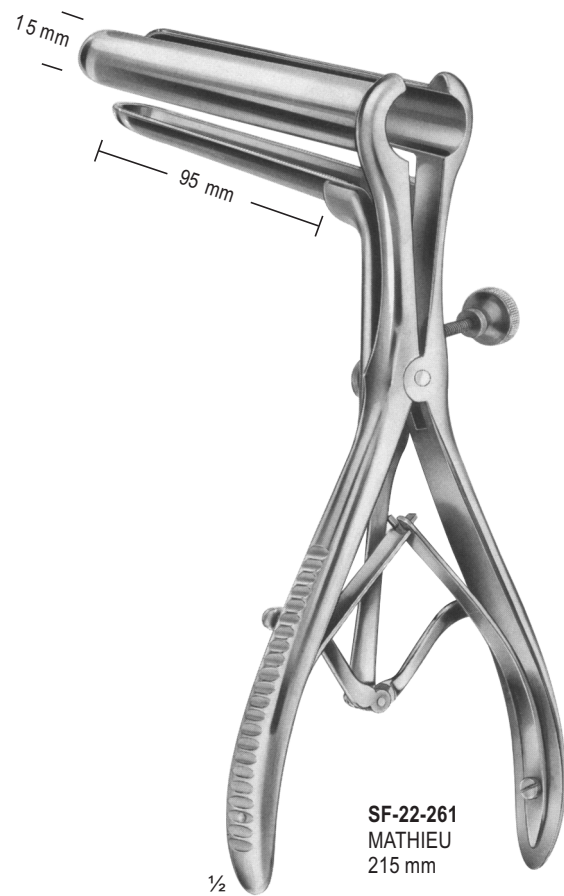
**SF-22-259**  
245 mm

**SF-22-256 - SF-22-259**



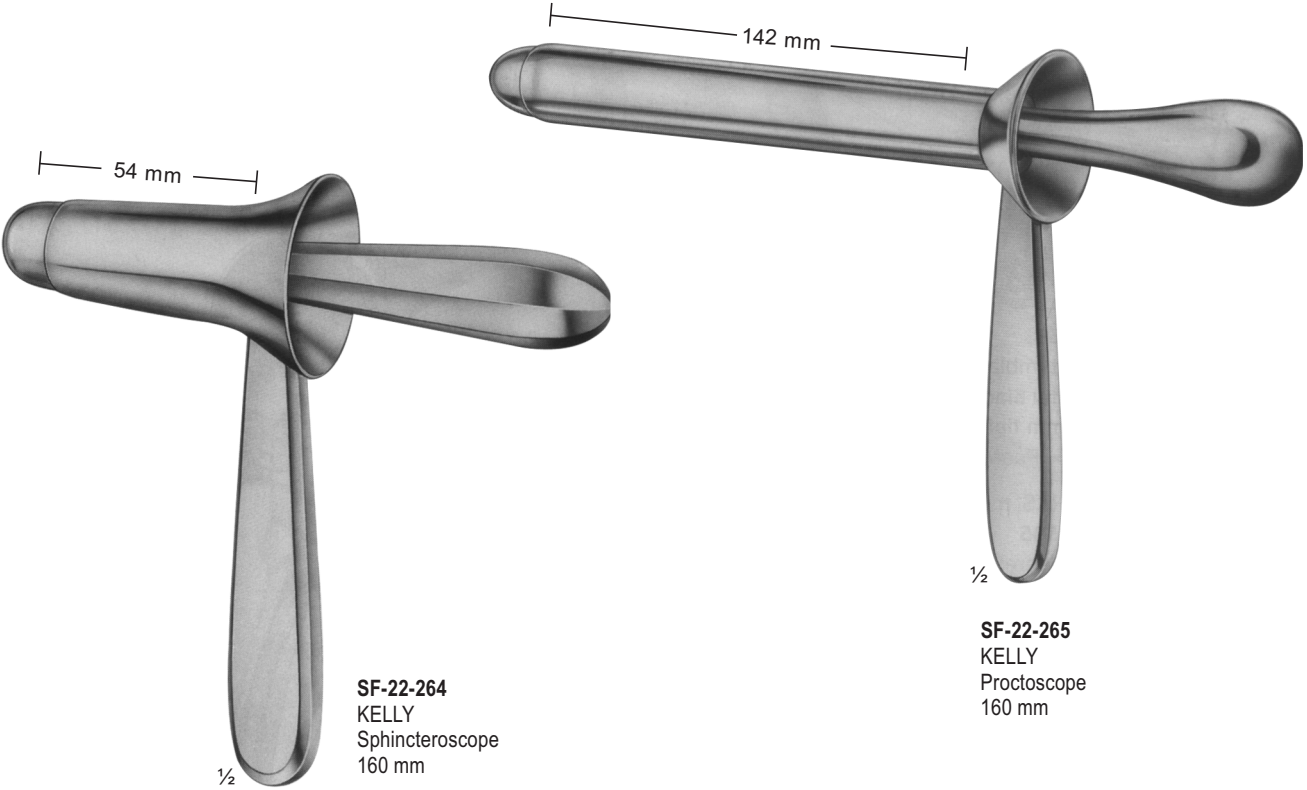
1/2

**SF-22-260**  
PRATT  
205 mm



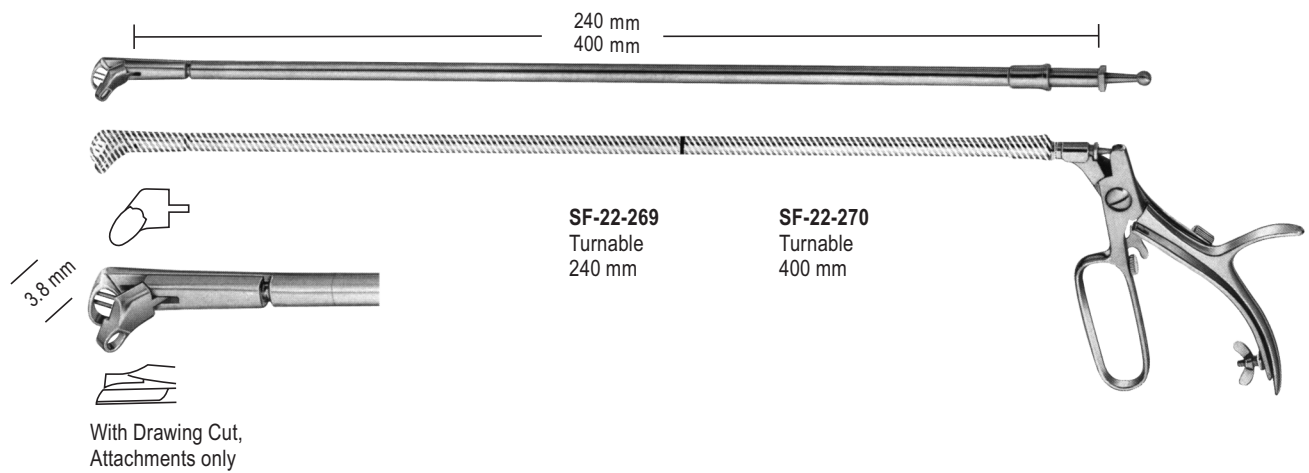
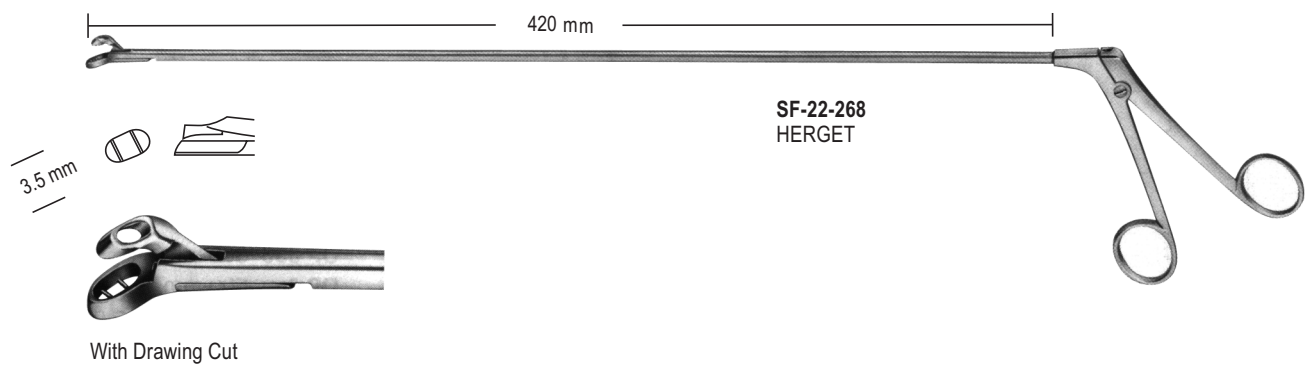
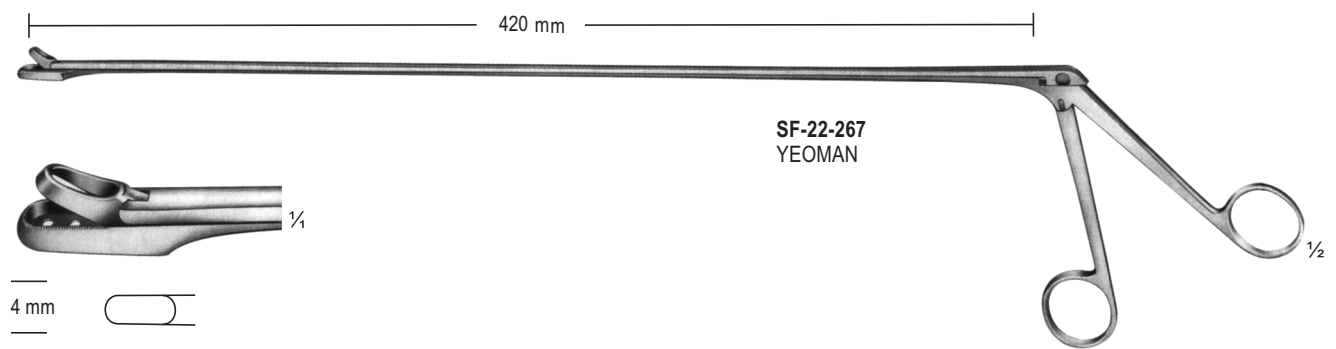
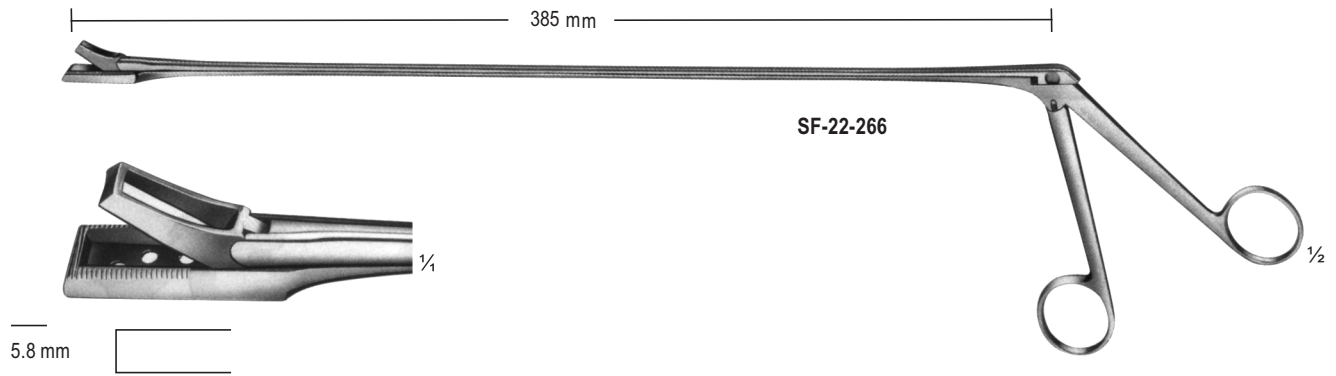
1/2

**SF-22-261**  
MATHIEU  
215 mm



BIOPSY FORCEPS FOR RECTUM

www.surgiforce.com





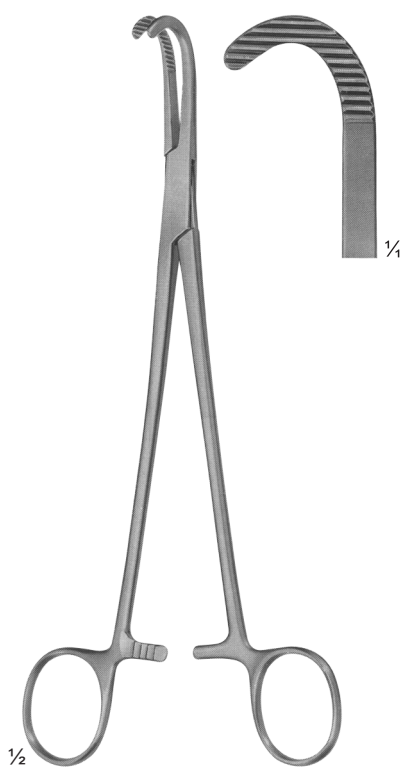
**SF-22-271**  
LOWER  
180 mm



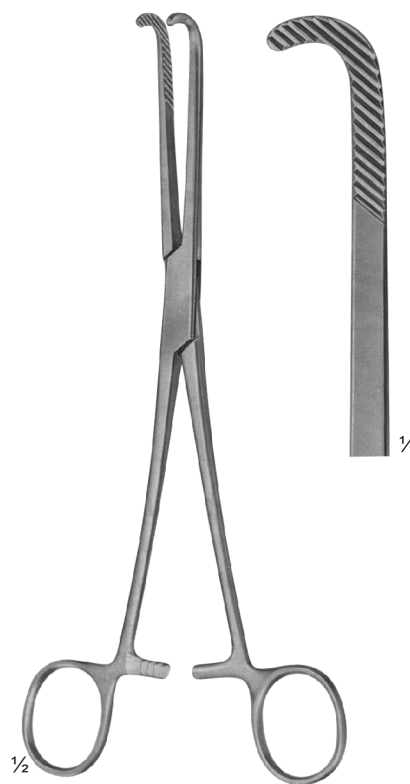
**SF-22-272**  
LAHEY ( SWEET )  
190 mm



**SF-22-273**  
LAHEY  
220 mm



**SF-22-274**  
DESJARDINS  
Gall duct-and cystic forceps  
210 mm



**SF-22-275**  
NISSEN  
Gall duct-and cystic forceps  
215 mm



SF-22-276

SF-22-277

1/2

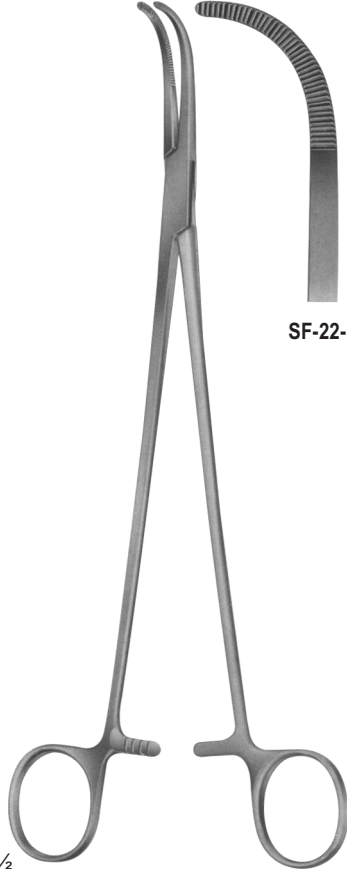
SF-22-276 - SF-22-277  
GRAY  
180 mm



SF-22-278 SF-22-279

1/2

SF-22-278 - SF-22-279  
MIXTER  
Gall duct-and cystic forceps  
230 mm



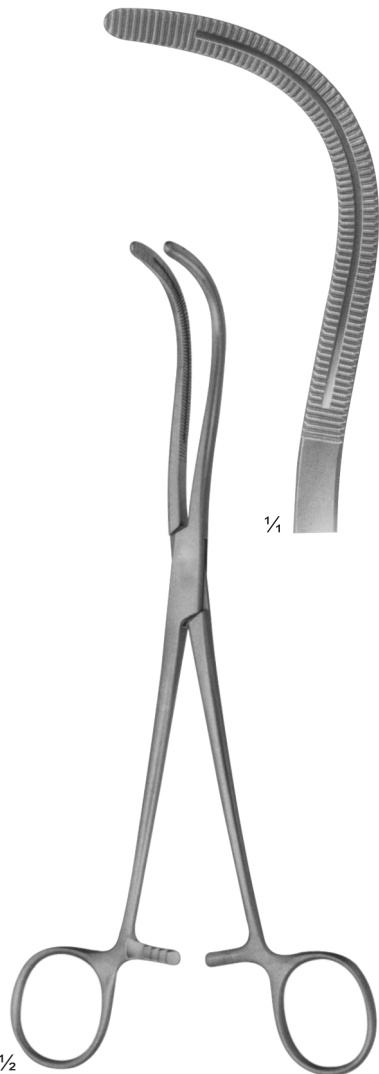
SF-22-280

1/2

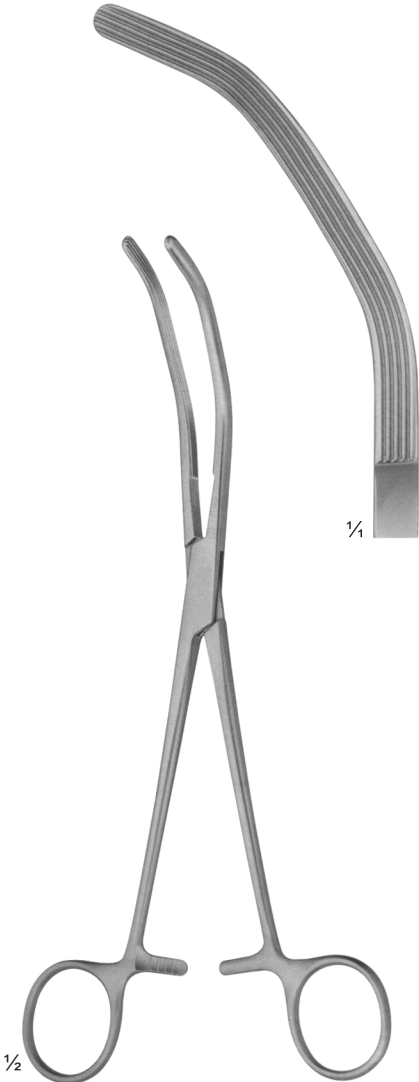
SF-22-280  
FOERSTER-BALLENGER  
240 mm



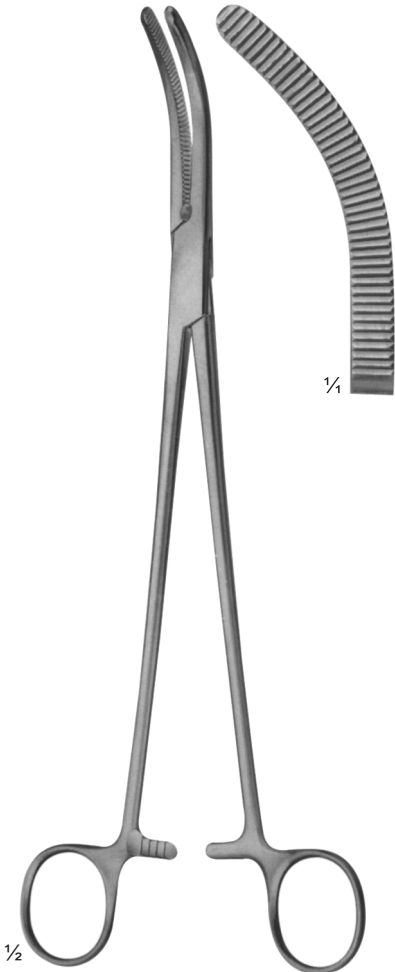




**SF-22-287**  
STILLE  
220 mm



**SF-22-288**  
HERRICK  
225 mm



**SF-22-289**  
WERTHEIM  
225 mm



# Surgiforce Instruments



Opposite Surgical Association,  
Malkay Kalan, Marala Road,  
Sialkot-51050 Pakistan.



+92 523 559131



info@surgiforce.com  
sales@surgiforce.com



www.surgiforce.com



## Our Certifications:

ISO 9001

CE Certified

EN 13485:2012

ISO 7153-1

ISO 7151

ISO 17664:2004

ISO 13402

ISO 15223

